

SPEEDEX

OWNER AND PARTS MANUAL

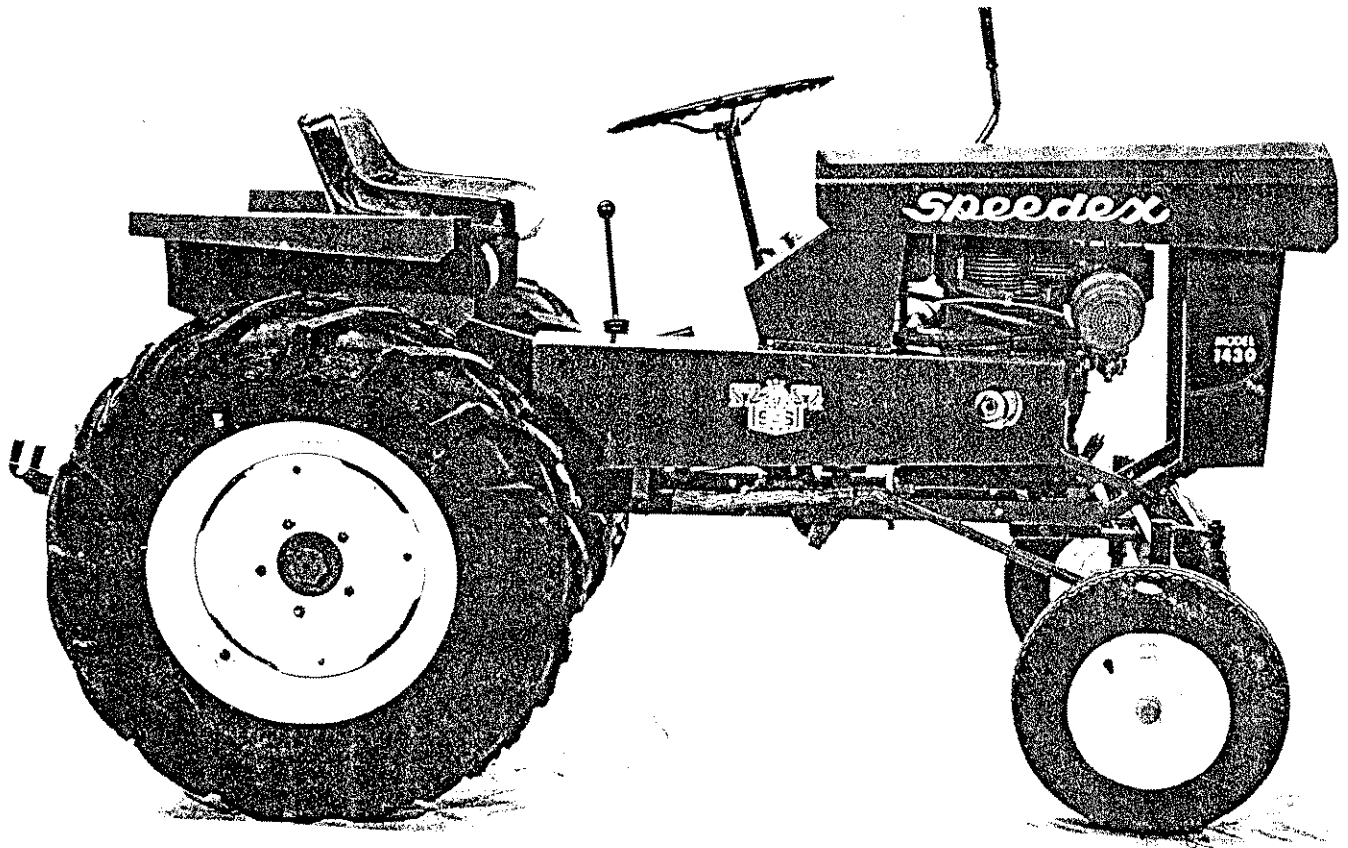
FOR

MODEL 1020 / 1030 SMALL FRAME

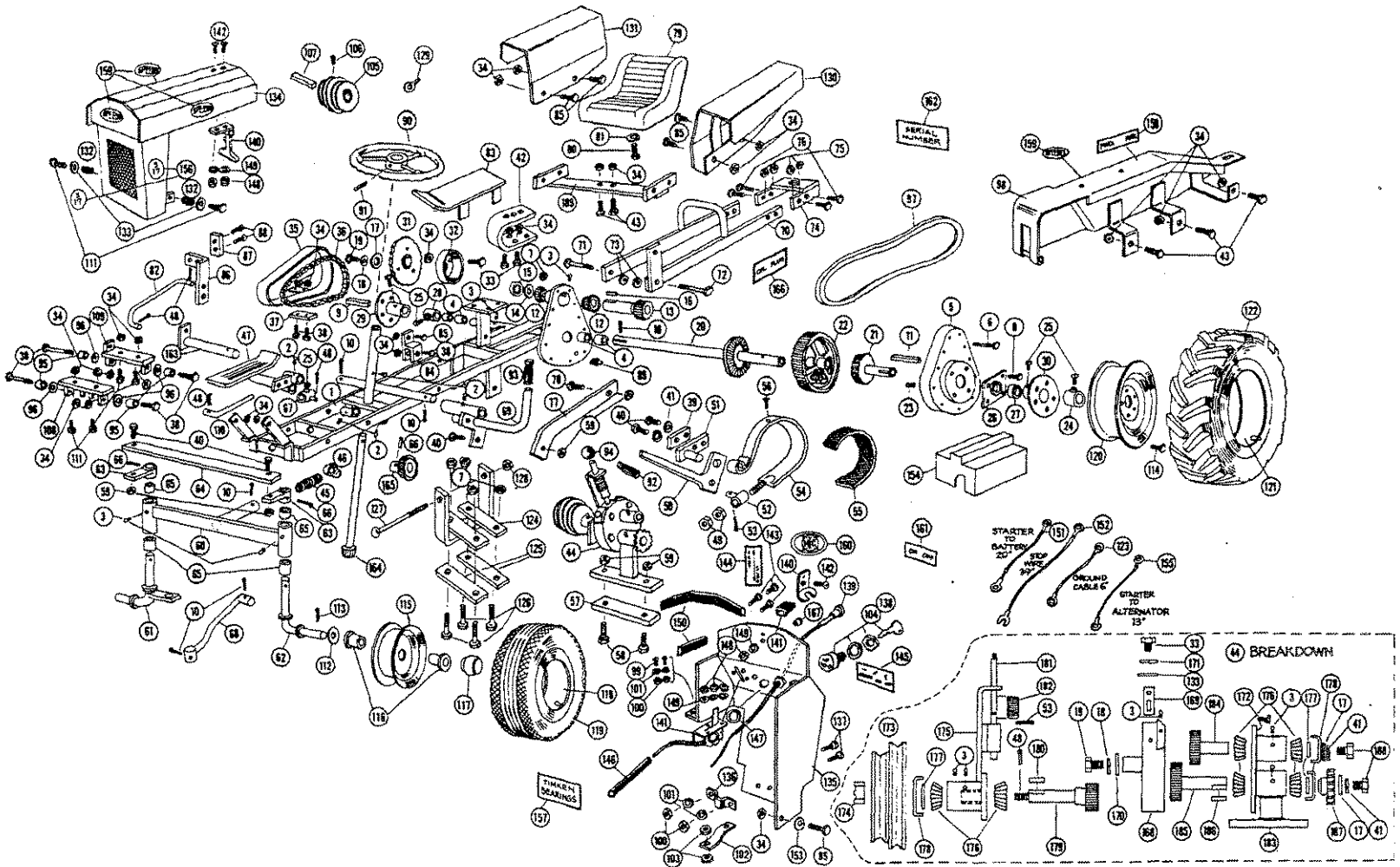
MODEL 1020 / 1030 / 1430 LARGE FRAME

MODEL 1130

TRACTORS



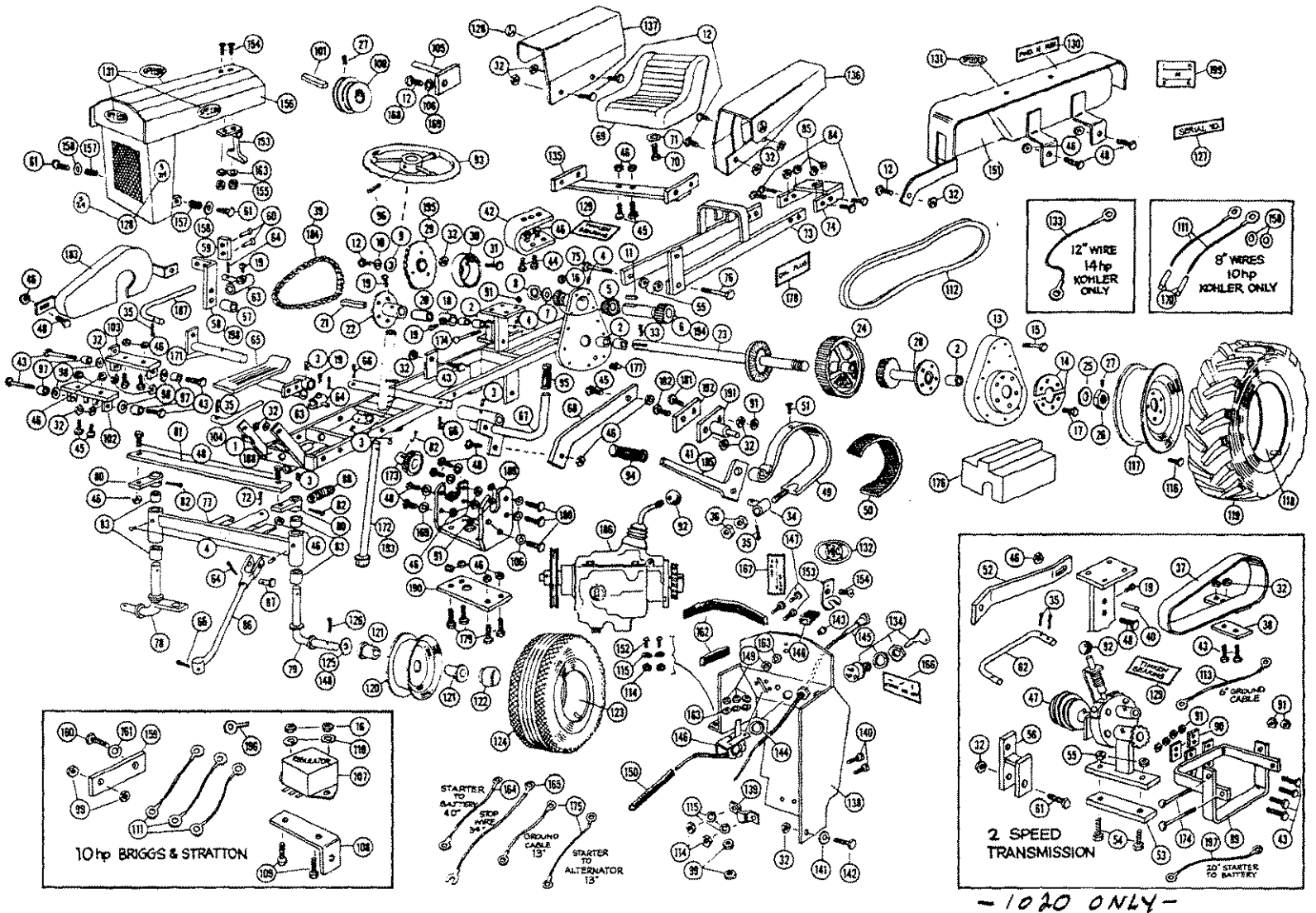
1020/1030 Tractor Small Frame Service Parts Breakdown



Item Code No.	Description	Item Code No.	Description
1.	1721-7001 Rail Frame Weld't	27.	40-1604 Bushing
2.	862-0399 Grease Fitting (No Spring)	28.	1709-7005 RH Hub Spacer Weld't
3.	862-0501 Grease Fitting	29.	1907-7001 RH Wheel Hub Weld't
4.	40-1117 Bushing	30.	1709-7008 LH Hub Weld't
5.	1709-0705 Differential Housing	31.	1711-700 Sprocket and hub Weld't
6.	847-2610 1/4-20 x 2 1/2 Hx.Hd. Cp. Screw	32.	1710-3501 Brake Drum
7.	919-2600 1/4-20 Hex Locknut	33.	847-2803 5/16-18 x 3/4 Lg. Hx. Hd. Cp. Screw
8.	847-2802 5/16-18 x 1/2 Hx.Hd.Cp. Screw	34.	919-2800 5/16-18 Hex Locknut
9.	68-0424 1/4 x 1/4 x 1 1/2 Sq. Key	35.	1711-7501 Chain Guard Weld't
10.	52-0412 3/16 x 1 1/2 Cotter Pin	36.	56-4036 Drive Chain
11.	68-0322 3/16 x 3/16 x 1-3/8 sq. key	37.	1711-2001 Hand Brake Keeper
12.	40-9081 Bearing	38.	847-2806 5/16-18 x 1 1/2 Hx. Hd. Cp. Screw
13.	1711-7001 Input Pinion Weld't	39.	2410-2007 Keeper Hand Brake
14.	40-2514 Flinger	40.	846-3005 3/8-16 x 1 1/4 Hx. Hd. Cp. Screw
15.	40-7361 Closure	41.	80-0530 3/8 Medium Lockwasher
16.	68-0314 3/16 x 3/16 x 7/8 Sq. Key	42.	340-3152 Seat Spring
17.	80-0230 3/8 Plain Washer	43.	847-2805 5/16-18 x 1 1/4 Hx.Hd.Cp. Screw
18.	80-0532 7/16 Medium Lockwasher	44.	1708-8003 Transmission Unit
19.	847-3303 7/16-20 x 3/4 Hx.Hd.Cp. Screw	45.	341-3424 Engine Return Spring
20.	1709-7001 Axle and Gear Weld't	46.	80-1247 Spring Washer
21.	1709-7002 Hub and Gear Weld't	47.	1706-7001 Clutch Pedal Weld't
22.	1709-7003 Gear, Hub and Pinion Weld't	48.	52-0208 1/8 x 1 Cotter Pin
23.	862-1803 Grease Fitting	49.	902-3000 3/8-16 Hex Nut
24.	1709-7004 Hub Retainer Weld't	50.	1710-7004 Lever Weld't
25.	849-3003 3/8-16 x 3/4 Lg.Sq.Hd. Set Screw	51.	1710-7005 Mounting Bracket Weld't
26.	1709-7006 Cover Plate Weld't	52.	1710-7006 Adjusting Knuckle Weld't

Item Code No.	Description	Item Code No.	Description		
53.	52-0206	1/8 x 3/4 Cotter Pin	122.	41-2616	6 x 16" Standard Tire
54.	1710-7003	Brake Band Weld't	123.	32-9256	6" Wire Battery Ground
55.	1710-0602	Brake Lining	124.	1913-7001	Battery Box
56.	50-1408	Rivet	125.	1913-2001	Keeper
57.	1708-2001	Keeper	126.	847-2609	1/4-20 x 2 1/4 Hx. Hd. Cp. Screw
58.	847-3012	3/8-16 x 3 Hx. Hd. Cp. Screw	127.	895-2836	5/16-18 x 8 1/2 Button Head Rivet Screw
59.	919-3000	3/8-16 Hex Locknut	128.	902-2800	5/16-18 Hx. Nut
60.	1903-7001	Front Axle Weld't	129.	32-1416	Terminal 5/16 Hole
61.	1903-7002	RH Front Spindle Weld't	130.	1939-7504	LH Fender
62.	1903-7003	LH Front Spindle Weld't	131.	1939-7503	RH Fender
63.	1903-7007	Steering Tab Weld't	132.	341-1306	Spring
64.	1903-7005	Tie Rod Weld't	133.	80-0226	1/4 Flat Washer
65.	40-1139	Bushing	134.	1939-7003	Hood
66.	53-0613	5/16 x 1 5/8 Spirol Pin	135.	1739-7004	Dash
67.	1906-7002	Adjusting Knuckle Weld't	136.	2439-3504	Clamp
68.	1902-7004	Drag Link Weld't	137.	811-2001	10-24 x 1 Screw
69.	1904-7001	Lift Handle Weld't	138.	33-9520	Key Switch
70.	1704-7001	Tool Rack Weld't	139.	36-6025	29" Choke Cable
71.	847-3407	1/2-13 x 1 3/4 Hx. Hd. Cp. Screw	140.	37-7110	Hood Latch and Latch Catch
72.	847-3410	1/2-13 x 2 1/2 Hx. Hd. Cp. Screw	141.	36-5036	36" Throttle
73.	919-3400	1/2-13 Hex Locknut	142.	811-1512	6-32 x 1/2 Screw
74.	2404-7003	Draw Bar Weld't	143.	811-1534	6-32 x 3/4 Screws
75.	904-3000	3/8-16 Heavy Hx. Nut	144.	42-1012	Slow Fast Decal
76.	847-3007	3/8-16 x 1 3/4 Hx. Hd. Cp. Screw	145.	42-1013	Start-On-Off Decal
77.	1704-2501	Lift Bar	146.	3219-0602	8 1/2" Wire Loom
78.	847-3007	3/8-16 x 1 1/2 Hx. Hd. Cp. Screw	147.	46-0101	Steer Post Bushing
79.	43-1469	Deluxe Seat Low Back	148.	902-1500	No. 6-32 Hex Nut
80.	847-3405	1/2-13 x 1 1/4 Hx. Hd. Bolt	149.	80-0515	No. 6 Lockwasher
81.	80-0534	1/2 Lock washer	150.	3219-0601	Wire Enforced Moulding
82.	1710-1501	Brake Rod	151.	32-9261	No. 8 Wire Start to Battery Cable 20"
83.	1712-7501	Frame Cover	152.	32-9264	34" No. 16 Stop Wire
84.	1710-7002	Lower Brake Weld't	153.	80-0228	5/16 Plain Washer
85.	847-2804	5/16-18 x 1" Lg. Hx. Hd. Cp. Screw	154.	35-0101	Battery Cover
86.	1710-8002	Brake Shoe Weld't	155.	32-9257	13" Cable Starter to Alternator
87.	1910-0601	Brake Lining	156.	42-1017	S-17 Decal
88.	50-1316	3/16 x 1 Flat Hd. Rivet	157.	42-1301	Timken Bearing Decal
89.	866-7100	1/4-18 Pipe Plug	158.	42-1102	Shift Pattern Decal
90.	44-2354	Steering Wheel	159.	42-1003	Large Speedex Decal
91.	53-0514	1/4 x 1 3/4 Spirol Pin	160.	42-1010	MIC Decal
92.	44-0378	Hand Brake Grip	161.	42-1011	On-Off Decal (Recoil)
93.	44-1556	Lift Handle Grip	162.	42-0017	Serial Number Decal
94.	44-0035	Shift Knob	163.	1902-7002	Output Shaft Weld't
95.	48-1005	Fibres	164.	1902-7003	Steering Post Weld't
96.	80-1029	Spacer	165.	352-0724	Output Gear
97.	392-6964	64" Belt	166.	42-1015	Oil Plug Decal
98.	1739-7003	Belt Guard	167.	44-0375	3/8 Plug
99.	811-2012	10-24 x 1/2 Screws	168.	1708-0702	Transmission Housing
100.	902-2000	10-24 Hex Nut	169.	1708-2501	Shifter Stop
101.	80-0520	No. 10 L/W	170.	80-0232	7/16" Plain Washer
102.	36-3501	Choke Clip	171.	80-0528	5/16" Medium Lockwasher
103.	901-3000	Casing Nut	172.	847-2603	1/4-20 x 3/4 Lg. Hx. Hd. Cp. Screw
104.	33-9566	Stop Switch	173.	372-1206	5"-6" x 3/4 Bore V Pulley
105.	372-1604	4-5-4 Pulley W/Set Screw	174.	935-3900	5/8-18 Slotted Hex JamNut
106.	876-2801	5/16-18 x 1/4 Set Screw	175.	1708-7001	Shifter Arm Weld't
107.	68-0432	1/4 x 1/4 x 2 Sq. Key	176.	40-1949	Bearing
108.	1706-7005	Front Motor Mount	177.	40-5625	Flinger
109.	1706-7006	Rear Motor Mount	178.	40-5624	Closure
110.	2406-1501	Clutch Rod	179.	355-1214	Input Pinion
111.	847-2807	5/16-18 x 1 3/4 Hx. Hd. Cp. Screw	180.	68-0320	3/16 x 3/16 x 1 1/4 LG Sq. Key
112.	80-1144	.016 x 1.30 OD x 1.030 ID Washer	181.	1708-1001	Shift Selector Rod
	80-1145	.025 x 1.30 OD x 1.030 ID Washer	182.	341-1509	Shifter Spring
113.	52-0212	1/8 x 11/2 Ext. Prong Cotter Pin	183.	1708-7003	Side Plate Weld't
114.	857-3305	7/16 20 Lug Bolt	184.	1708-7004	Idler Gear Weld't
115.	41-4008	8" Rim W/Grease Fitting	185.	1708-7005	Output Gear Weld't
116.	40-5416	1" Bushing	186.	68-0312	3/16 x 3/16 x 3/4 LG Sq. Key
117.	41-0101	Hub Cap	187.	365-1211	11 T x 3/4 Bore Output Sprocket
118.	41-1408	4" x 8" Tube	188.	847-3103	3/8-24 X 3/4 LG Hx. Hd. Cp. Screw
119.	41-2488	4.80 x 4" x 8" Standard Tube	189.	1739-7005	Fender Bracket
120.	41-4516	16" Rim W/5 Bolt Holes	190.	42-1001	Small Speedex Decal
121.	41-1616	6 x 16" Tube			

Large Frame
Service Parts Breakdown



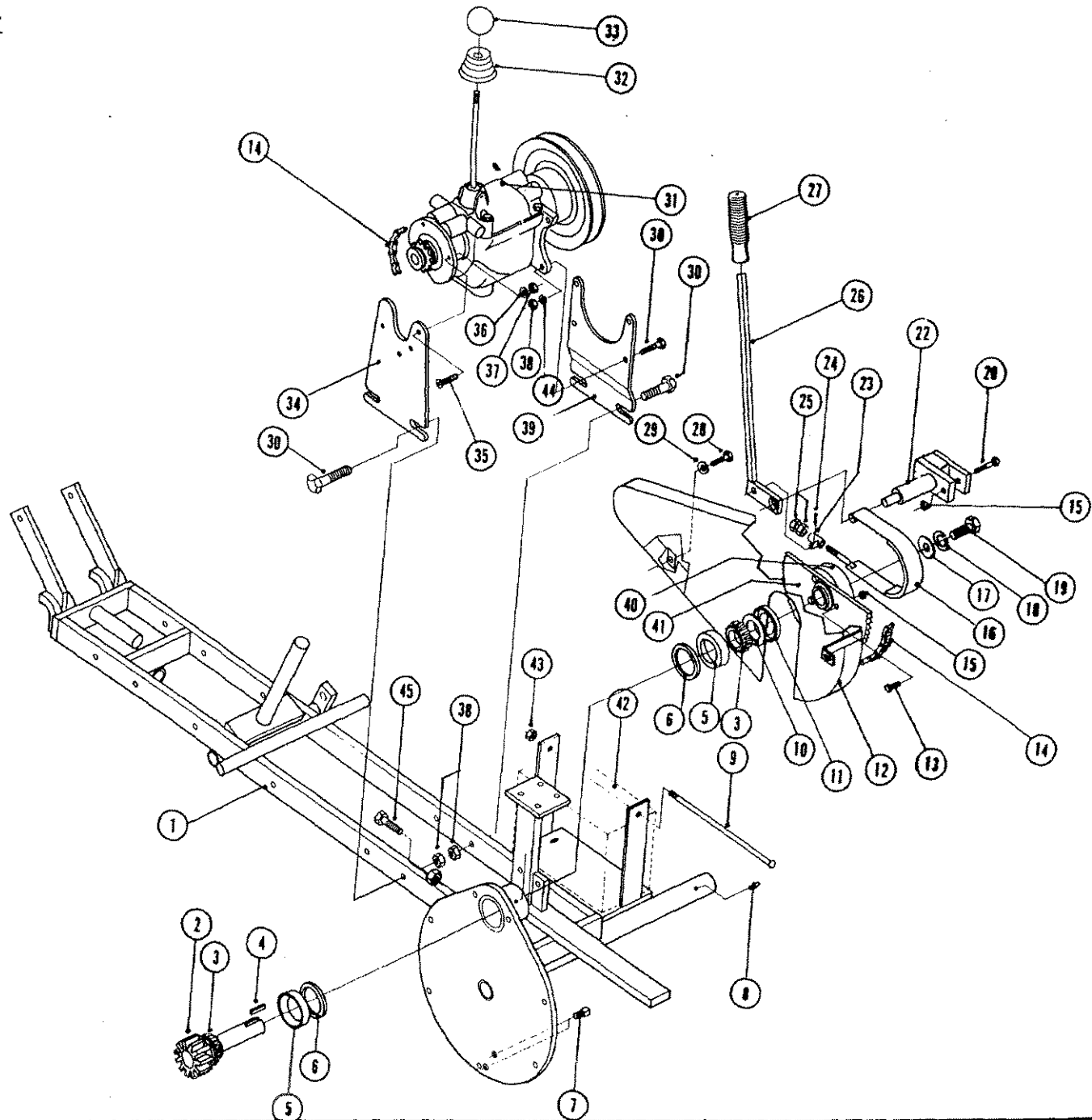
Item	Code No.	Description	Item	Code No.	Description
1.	2441-7001	Rail Frame new sheet metal 2-speed	29.	2411-7002	Sprocket-Hub Weld't 2-Speed
2.	40-1604	Bushing	30.	1710-3501	Brake drum
3.	862-0399	Grease Fitting	31.	847-2803	5/16 - 18 x 3/4" lg. hx. hd. cp. screw
4.	862-0501	Grease Fitting	32.	919-2800	5/16 - 18 hex locknut
5.	40-7048	Bearing cone	33.	52-0416	3/16 x 2 cotter pin
6.	2411-7012	Input Pinion 2-Speed	34.	1710-7006	Adjusting knuckle
7.	40-5634	Flinger	35.	52-0206	1/8 x 3/4 cotter pin
8.	40-5633	Closure	36.	902-3000	3/8 - 16 hx. nuts
9.	80-0238	5/8 plain washer	37.	2411-7501	Chain guard
10.	80-0538	5/8 lockwasher	38.	1711-2001	Chain guard keeper
11.	68-0416	1/4 x 1" Sq. Key	39.	56-4036	Chain 2-Speed
12.	847-3904	5/8 - 18 x 1 hx.hd.cp. screw	40.	2410-1001	Pivot pin
13.	2409-0705	Differential housing cover	41.	1710-7004	Hand Brake Lever 2-Speed
14.	2409-3003	Cover plate	42.	340-3152	Seat Spring
15.	847-2613	1/4 - 20 x 3 1/4 hx.hd.cp. screw	43.	847-2806	5/16 - 18 x 1 1/2 hx.hd.cp. screw
16.	902-2600	1/4 - 20 hx. nuts	44.	847-3004	3/8 - 16 x 1 hx.hd.cp. screw
17.	847-2602	1/4 - 20 x 1/2 hx.hd.cp. screw	45.	847-3006	3/8 - 16 x 1 1/2 hx.hd.cp. screw
18.	2409-7004	Locking collar	46.	919-3000	3/8-16 hx. nuts
19.	849-3003	3/8 - 16 x 3/4 sq.hd. set screw	47.	2408-8003	Transmission
20.	2409-4004	Hub Spacer	48.	847-3005	3/8 - 16 x 1 1/4 hx.hd.cp. screw
21.	68-0424	1/4 sq. x 1 1/2	49.	1710-7003	Brake band weld't
22.	2409-7005	R.H. wheel hub	50.	1710-0602	Brake lining
23.	2409-7001	Axle-gear weld't	51.	50-1408	14-8 Rivet
24.	2409-7003	Gear, hub, pinion weld't	52.	2408-2501	Brace
25.	80-0253	1 3/8" plain washer	53.	2408-2001	Keeper
26.	2409-1002	1 3/8 - 12 hx. jam nut	54.	847-3414	1/2 - 13 x 3 1/4 lg. hx. hd. cp. screw
27.	876-2801	5/16 - 18 x 1/4 lg. soc. set screw	55.	919-3400	1/2-13 hex locknut
28.	2409-7002	Hub-gear weld't	56.	2410-7002	Lower brake weld't

Item	Code No.	Description	Item	Code No.	Description
57.	1926-4001	3/8 spacer	132.	42-1010	MIC Decal
58.	2410-7001	Brake Shoe Weld't 2-Speed	133.		12" wire No. 16 (14 HP Kohler)
59.	2410-0603	Brake lining	134.	33-9511	Cole-Herse key switch (no ground)
60.	50-1316	3/16 x 1 flat hd. rivet			Kohler 14 HP and 10 HP
61.	847-2807	5/16 - 18 x 1 3/4 hx.hd.cp. screw		33-9510	Cole-Herse key switch (w/ground) 10 HP Briggs
62.	2410-1501	Brake rod		33-9451	Indak key switch (w/ground) 10 HP Briggs
63.	1906-7002	Adjusting knuckle	135.	2439-7006	Fender Bracket
64.	52-0208	1/8 x 1 cotter pin	136.	2439-7504	LH Fender
65.	2406-7001	Clutch pedal	137.	2439-7503	RH Fender
66.	52-0412	3/16 x 1 1/2 cottern pin	138.	2439-7502	Dash weld't
67.	2404-7001	Lift handle	139.	2439-3504	Clamp
68.	2404-2502	Lift bar	140.	811-2001	No. 10-24 x 1 Screw
69.	43-1469	Deluxe seat	141.	80-0228	5/16 plain washer
70.	847-3405	1/2 - 13 x 1 1/4 hx.hd.cp. screw	142.	847-2805	5/16 - 18 x 1 1/4 hx.hd.cp. screw
71.	80-0534	1/2 Lockwasher	143.	44-0375	3/8 light plug switch
72.	52-0520	1/4 x 2 1/2 cotter pin	144.	46-0101	Steering post bushing
73.	2404-7002	Tool Rack	145.	36-6025	25" choke cable (Briggs)
74.	2404-7003	Rear Hitch		36-6036	36" choke cable (Kohler)
75.	847-3407	1/2 - 13 x 1 3/4 hx.hd.cp. screw	146.	36-5026	25" throttle cable (Briggs)
76.	847-3410	1/2 - 13 x 2 1/2 hx.hd.cp. screw		36-5036	36" throttle cable (Kohler)
77.	2403-7001	Front axle weld't	147.	811-1534	6-32 x 3/4 screw
78.	2403-7002	RH front spindle weld't	148.	80-1145	1.30 OD x 1.03 ID x .025 thick wheel shim
79.	2403-7003	LH front spindle weld't	149.	902-1500	No. 6-32 Hex nuts
80.	1903-7007	Steering tab weld't	150.	3219-0602	12" wire loom
81.	2403-7004	Tie rod weld't	151.	2439-7506	Belt guard
82.	53-0613	5/16 x 1 5/8 spiro pin	152.	811-2012	No. 10-24 x 1/2 screws
83.	40-1139	C1139 Bushing	153.	37-7110	Hood latch
84.	847-3007	3/8 - 16 x 1 3/4 hx.hd.cp. screw	154.	811-1512	No. 6-32 x 1/2 screw
85.	904-3000	3/8-16 hvy. hx. nut	155.	902-1500	No. 6-32 Hex nut
86.	2402-7003	Drag link	156.	2439-7501	Hood Weld't
87.	51-1010	Clevis pin	157.	341-1306	Spring
88.	341-3424	Engine return spring	158.	80-0226	1/4 washers
89.	2413-7001	Battery box	159.	2413-2003	Choke bracket
90.	1711-2001	Keeper	160.	847-3203	7/16 - 14 x 3/4 hx.hd.cp. screw
91.	902-2800	5/16 - 18 hex nut	161.	80-0532	7/16 lockwasher
92.	44-0035	Shift knob	162.	3219-0601	Wire enforced molding
93.	44-2885	Steering wheel	163.	80-0515	No. 6 Lockwasher
94.	44-0378	Brake lever grip	164.	32-9258	40" cable No. 8 wire
95.	44-1556	Lift handle grip	165.	32-9264	34" stop wire No. 16 wire
96.	53-0514	1/4 x 1 3/4 spiro pin	166.	42-1013	Start-On-Off Decal
97.	48-1005	Eccentric Fibres	167.	42-1012	Slow Fast Decal
98.	80-1029	Spacers	168.	847-3003	3/8 - 16 x 3/4 hx.hd.cp. screw (Kohler Engine)
99.	901-3000	3/16 casing nut	169.	80-0539	3/8 Lockwasher (Kohler Engine)
100.	372-1605	4 - 5 x 1" bore "v" pulley	170.		Wire splicers
	372-1805	4" - 5" V pulley 1 1/8 bore (Kohler Engine)	171.	2402-7002	Output Shaft Weld't
101.	68-0432	1/4 x 1/4 x 2" lg. sq. key	172.	1902-7003	Steering post weld't 2-Speed
102.	2406-7008	Front motor mount weld't	173.	352-0724	Output gear
103.	2406-7004	Rear motor mount weld't	174.	895-2836	5/16-18 x 8 1/2 bolt
104.	2406-1501	Clutch Rod	175.	32-9257	13" wire No. 8
105.	444-7011	Belt retainer	176.	35-0101	Battery box cover
106.	80-0528	5/16 lockwasher	177.	866-7100	1/4 - 18 pipe plug
107.	35-9524	295-024 voltage regulator	178.	42-1015	Oil plug decal
108.	2413-2502-50	Regulator Bracket	179.	847-3010	3/8 - 16 x 2 1/2 hx.hd.cp. screw
109.	847-2603	1/4 - 20 x 3/4" lg. hx.hd.cp.screws	180.	850-2805	5/16 - 18 x 1 1/4 Flat hd.cp. screw slotted
110.	80-0526	1/4" medium lockwasher	181.	847-2809	5/16 - 18 x 2 1/4 hx.hd.cp. screw
111.	32-9254	8" No. 16 wire	182.	847-2808	5/16 - 18 x 2 hx.hd.cp. screw
112.	392-6964	64" Belt	183.	2439-7003	Chain guard 3-Speed
113.	32-9296	6" No. wire ground cable	184.	56-4046	Chain 3-Speed
114.	902-2000	No. 10-24 hex nut	185.	2410-7005	Hand brake lever 3-Speed
115.	80-0520	No. 10 Lockwasher	186.	2407-0000	3-speed Borg-Warner transmission
116.	857-3305	7/16-20 lug bolt	187.	2410-1501	Brake rod 3-Speed
117.	41-4516	16" rim w/5 bolt holes	188.	2461-7001	Frame 3-Speed
118.	41-1816	8 x 16" tube	189.	2407-7001-50	Transmission mounting cradle 3-Speed
119.	41-2816	8 X 16" Standard Tire	190.	2407-3003-50	Keeper plate 3-Speed
120.	41-4008	8" rim w/grease fitting	191.	2410-7004	Hand brake anchor 3-Speed
121.	40-5416	1" Bushing	192.	2410-2007	Hand brake keeper 3-Speed
122.	41-0101	Hub Cap	193.	1902-7003	Steer post weld't 3-speed
123.	41-1408	4" x 8" tube	194.	3311-7001	Input pinion weld't 3-speed
124.	41-2488	4.80 x 4" x 8" standard tire	195.	2411-7004	60 tooth sprocket and hub weld't 3-speed
125.	80-1144	1.30 OD x 1.03 ID x .016 thick wheel shim	196.	32-1416	Terminal 5/16 Hole
126.	52-0212	1/8 x 1 1/2 cotter pin	197.	32-9261	20" cable No. 8 wire
127.	42-0024	Serial number	198.	2410-7001	Brake arm weld't 3-Speed
128.	42-1430	Model 1430 Decal*	199.	42-1103	3-speed shift pattern
129.	42-1301	Timken bearing decal	200.	42-1109	Large Eagle Decal
130.	42-1102	Shift patern decal			*1020 Decal 42-1020, 1030 Decal 42-1030
131.	42-1104	Speedex Script			

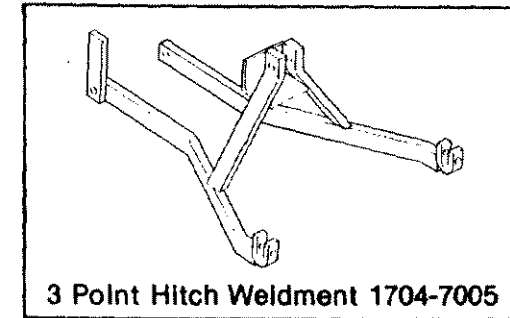
Frame Group

Item	Description	Part No.	Qty.
1.	Frame Weldment	1701-7004	1
2.	Pinion Weldment	1711-7001	1
3.	Tapered Roller Bearing	40-9081	2
4.	3/16x7/8 Sq. Key	68-0314	1
5.	Outer Bearing Race	40-9195	2
6.	Back-Up-Ring	40-0729	2
7.	Oil Plug	866-7100	2
8.	Grease Fitting	862-0501	2
9.	Battery Bolt 5/16-18x8 1/2	895-2836	1
10.	Bearing, Flinger	40-2514	1
11.	Bearing, Closure	40-7361	1
12.	Chain Guard	1739-7001	1
13.	5/16-18x3/4 Hx. Hd. Cp. Scr.	847-2803	3
14.	86 Pitch Chain	56-4043	1
15.	5/16-18 Locknut	919-2800	4
16.	Brake Band Assembly	1710-7003	1
17.	3/8 Plain Washer	80-0230	1
18.	7/16 Medium Lockwasher	80-0532	1
19.	7/16-20x3/4 Hx. Hd. Cp. Scr.	847-3303	1
20.	3/8-16x1 1/2 Hx. Hd. Cp. Scr.	847-2809	1
21.			
22.	Hand Brake Anchor Weldment	1710-7010	1
23.	Adjusting Knuckle	1710-7006	1
24.	Cotter Pin 1/8x1/4 Lg.	52-0206	1
25.	3/8-16 Nuts	904-3000	2
26.	Hand Brake Lever Arm	2410-7005	1
27.	Handle Grip	44-0378	1
28.	1/4-20x1 1/4 Hx. Hd. Cp. Scr.	847-2605	2
29.	1/4 Lockwasher	80-0530	10
30.	3/8-16x1 1/4 Hx. Hd. Cp. Scr.	847-3005	8
31.	3 Speed Transmission	1707-8001	1
32.	Rubber Boot	44-5940	1
33.	Shifter Knob	44-0095	1
34.	L.H. Support Plate	1707-3501	1
35.	Flat Sltd. Hd. Scr.		
	5/16-18x1" Lg.	850-2804	3
36.	5/16 Lockwasher	80-0528	3
37.	5/16 Hx. Hd. Nut	902-2800	4
38.	3/8 Hx. Hd. Nut	902-3000	8
39.	R.H. Support Plate	1707-3502	1
40.	Brake Drum	1710-3501	1
41.	Sprocket Weldment	1711-7003	1
42.	12 Volt DC Battery	35-9943	1
43.	3/8-16 Nut	902-2800	1
44.	3/8 Lockwasher	80-0530	8
45.	3/8-16x1 1/2 Hx. Hd. Cp. Scr.	847-3006	1
*46.	Battery Cable 40" Long	32-9256	1
*47.	Battery Cable 6" Long	32-9258	1
*48.	Plastic Chain Guard Cover	1739-3501	1

*Not Shown

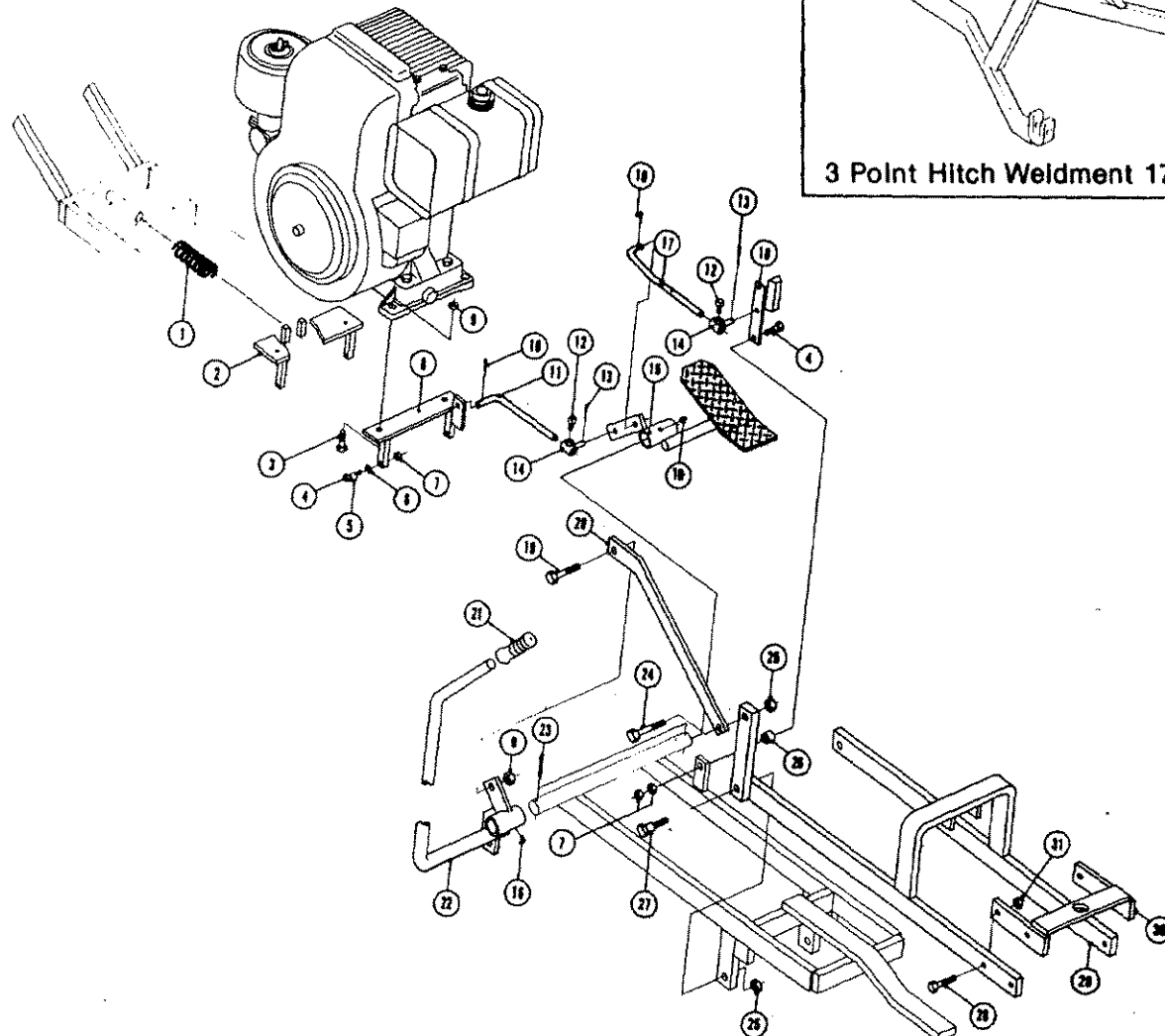


Clutch/Brake and Lift Group



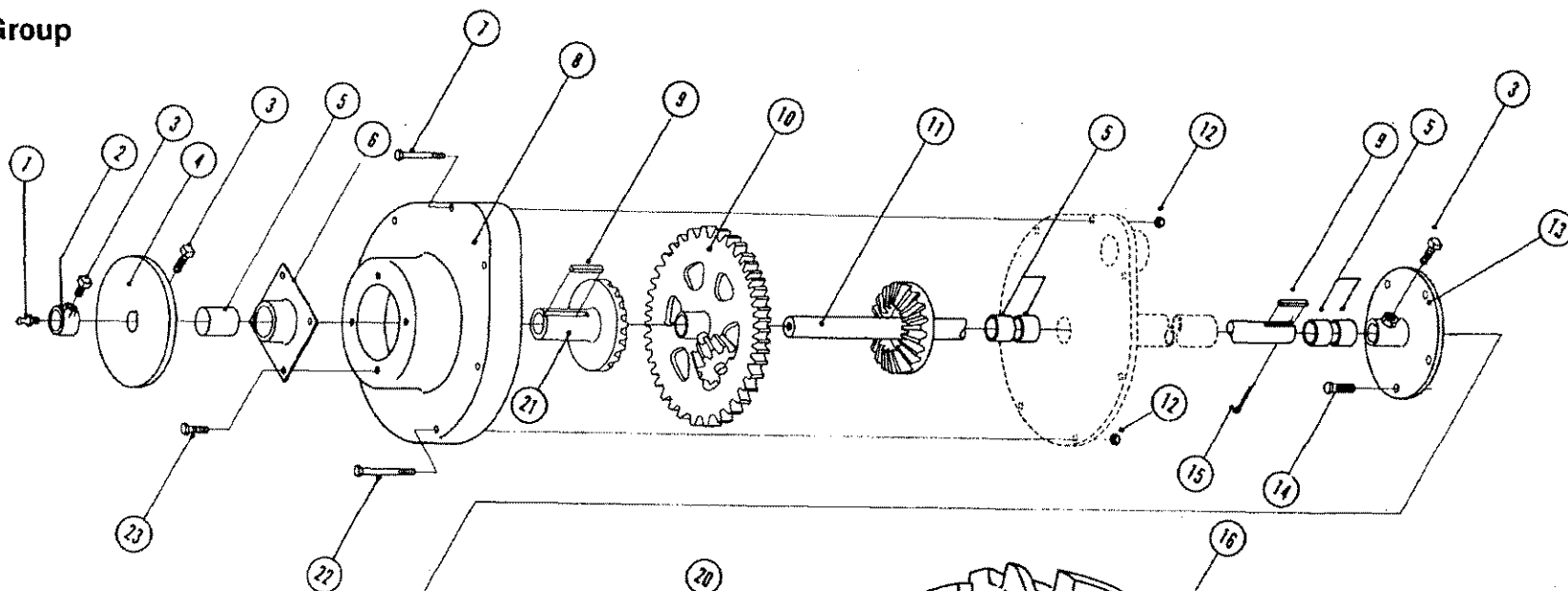
Item	Description	Part No.	Quan.
1.	Engine Return Spring	341-3424	1
2.	Front Motor Mount	1706-7005	1
3.	3/8 - 16 x 1 1/2 Hx. Hd. Cp. Scr.	847-3006	4
4.	5/16 - 18 x 1 1/2 Hx. Hd. Cp. Scr.	847-2806	4
5.	Eccentric Retainer	48-1005	4
6.	Flat Spacer	80-1029	
7.	5/16 - 18 Hx. Hd. Nut	919-2800	6
8.	Rear Motor Mount	1706-7006	1
9.	3/8 - 16 Hx. Hd. Nut	919-3000	5
10.	Cotter Pin 1/8 x 3/4 Lg.	52-0206	2
11.	Clutch Rod	1706-1501	1
12.	3/8 - 16 x 3/4 Lg. Hd. Set Scr.	849-3003	2
13.	Cotter Pin 1/8 x 1" Lg.	52-0208	2
14.	Trunnion Weldment	1906-7002	2
15.	Pedal Weldment	1706-7004	1
16.	Grease Fitting	862-0501	2
17.	Brake Rod	1706-1505	1
18.	Brake Arm Assembly	1710-7009	1
19.	3/8 x 16 x 1 1/4 Hx. Hd. Cp. Scr.	847-3004	2
20.	Lift Bar	1704-2505	1
21.	Lift Handle Grip	44-1556	1
22.	Lit Handle Weldment	1704-7007	1
23.	Cotter Pin 3/16, 1 1/2 Lg.	52-0412	2
24.	1/2 - 20 x 1 1/4 Hx. Hd. Cp. Scr.	847-3407	1
25.	1/2 - 20 Nut	919-3400	3
26.	Spacer	1926-4001	1
27.	L.H. Shoulder Bolt	1904-1004	1
28.	3/8 - 16 x 1 1/4 Hx. Hd. Cp. Scr.	847-3007	4
29.	Tool Rack Weldment	1704-7001	1
30.	Rear Hitch	2404-7003	1
31.	3/8 - 16 Heavy Hx. Hd. Nut	904-3000	4

* R.H. Shoulder Bolt Weldment 1904-7007 1

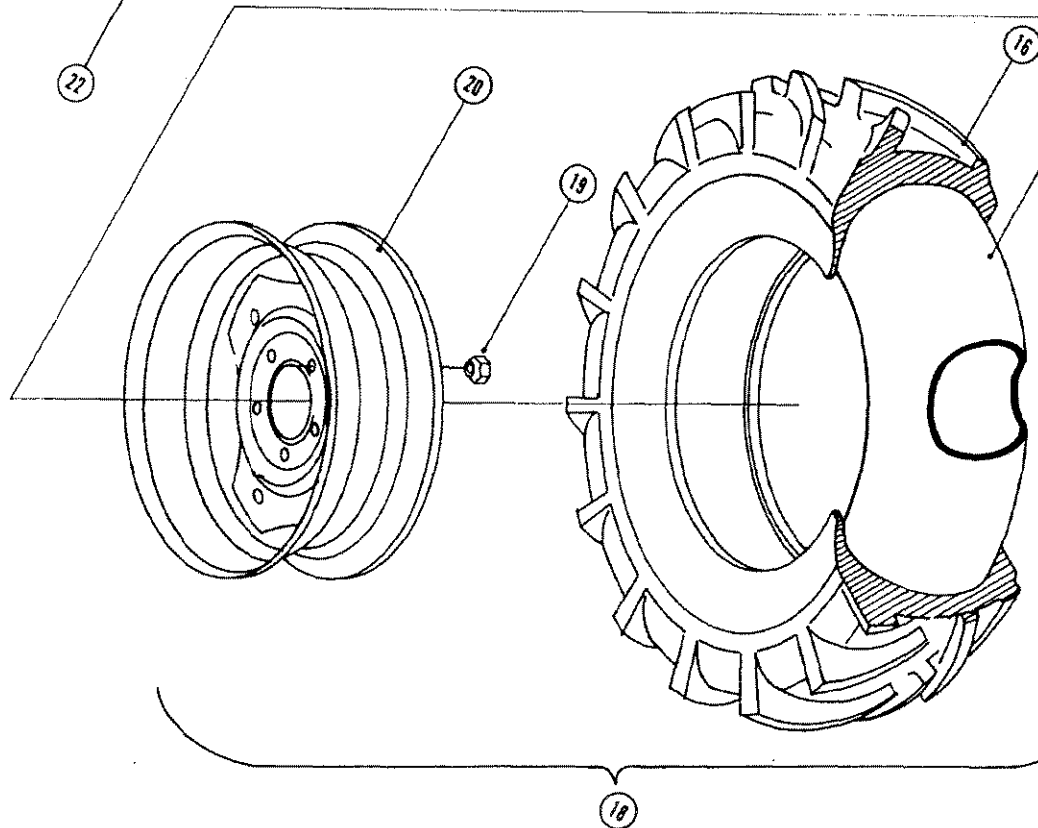


1130

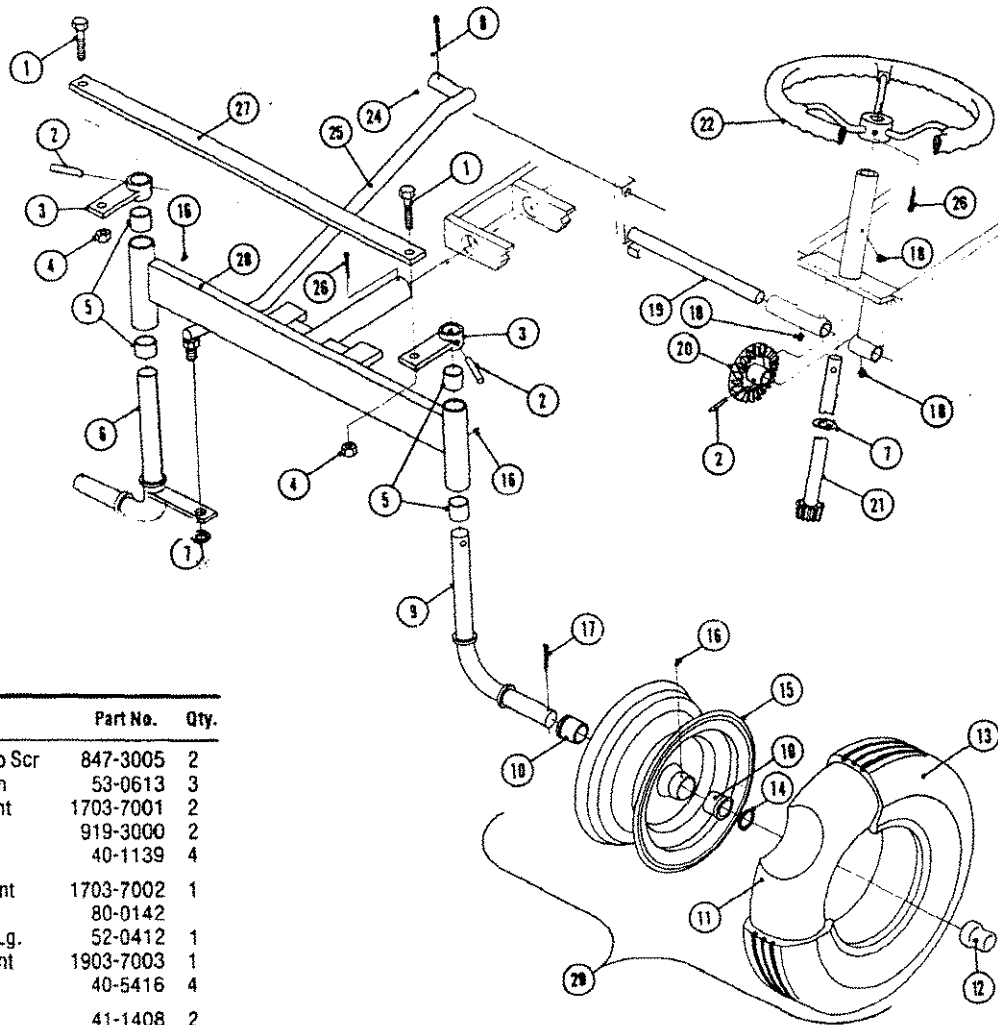
Final Drive Group



Item	Description	Part No.	Quan.
1.	Grease Fitting	862-1803	1
2.	Hub Retainer Weldment	1709-7004	1
3.	Sq. Hd. Set Screw	849-3003	3
4.	L.H. Hub Weldment	1709-7008	1
5.	Bronze Bushing	40-1117	5
6.	Cover Plate Weldment	1709-7006	1
7.	1/4-20x2 1/2 Hx. Hd. Cp. Scr.	847-2610	6
8.	Differential Housing Cover	1709-0705	1
9.	1/4 x 1 1/2 Sq. Key	68-0424	2
10.	Bull Gear Weldment	1709-7003	1
11.	Main Axle Weldment	1709-7012	1
12.	1/4-20 Hx. Hd. Nut	902-2600	7
13.	R.H. Hub Weldment	1907-7001	1
14.	Wheel Stud	857-3424	10
15.	Cotter Pin 3/16x1 1/2	52-0412	1
16.	6x16 Rear Tire	41-2616	2
17.	6x16 Inner Tube	41-1616	2
18.	Wheel Assembly Complete	41-9007	2
19.	1/2-20 Wheel Stud Nut	914-3500	10
20.	Wheel Rim	41-4516	2
21.	Hub & Gear Weldment	1709-7002	1
22.	1/4-20x3 1/4 Hx. Hd. Cp. Scr.	847-2613	1
23.	5/16-18x1 1/2 Hx. Hd. Cp. Scr.	847-2802	4

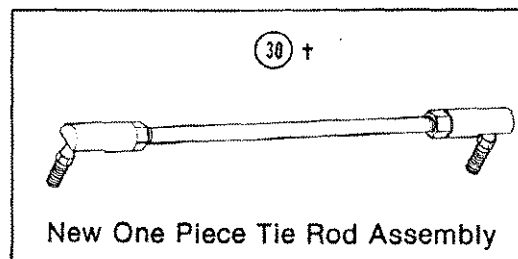


Front End and Steering Group



Item	Description	Part No.	Qty.
1.	* 3/8-16x1 1/4 Hx Hd Cp Scr	847-3005	2
2.	5/16x1-5/8 Spirol Pin	53-0613	3
3.	Steering Tab Weldment	1703-7001	2
4.	* 3/8-16 Locknut	919-3000	2
5.	Bushing	40-1139	4
6.	R. H. Spindle Weldment	1703-7002	1
7.	Spacer	80-0142	
8.	Cotter Pin 3/16x1 1/2 Lg.	52-0412	1
9.	L. H. Spindle Weldment	1903-7003	1
10.	Bushing	40-5416	4
11.	4. 80x8 Innertube	41-1408	2
12.	Hut Cap	41-0101	2
13.	4. 80x8 Front Tire	41-2488	2
14.	Shim	80-1144	
15.	8" Wheel Rim	41-4008	2
16.	Grease Fitting	862-0501	4
17.	Cotter Pin 1/8x1 1/2 Lg.	52-0212	2
18.	Grease Fitting	862-0399	4
19.	Pitman Arm Weldment	1902-7002	1
20.	Steering Bevel Gear	352-0724	1
21.	Column Shaft Weldment	1902-7003	1
22.	Steering Wheel	44-2354	1
23.			
24.			
25.	Drag Link Assembly	1902-8004	1
26.	Cotter Pin 1/4x2 1/2	52-0520	2
27.	* Tie Rod Bar	1903-7005	1
28.	Front Axle Weldment	1903-7001	1
29.	Wheel Assembly Complete	41-9004	2
30.	Tie Rod/Ball Joint Assembly	1903-8006	1

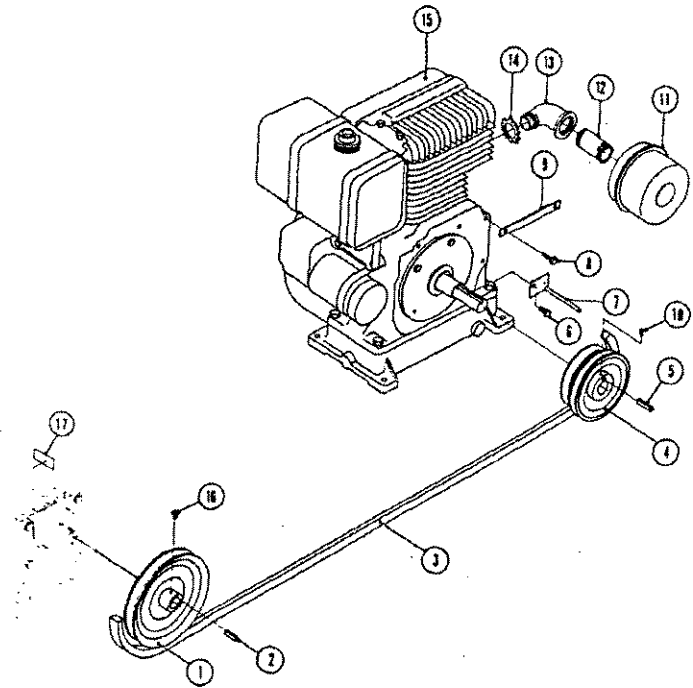
*on 1978 model's these items are replaced by an Improved one piece Tie Rod & Ball Joints. †



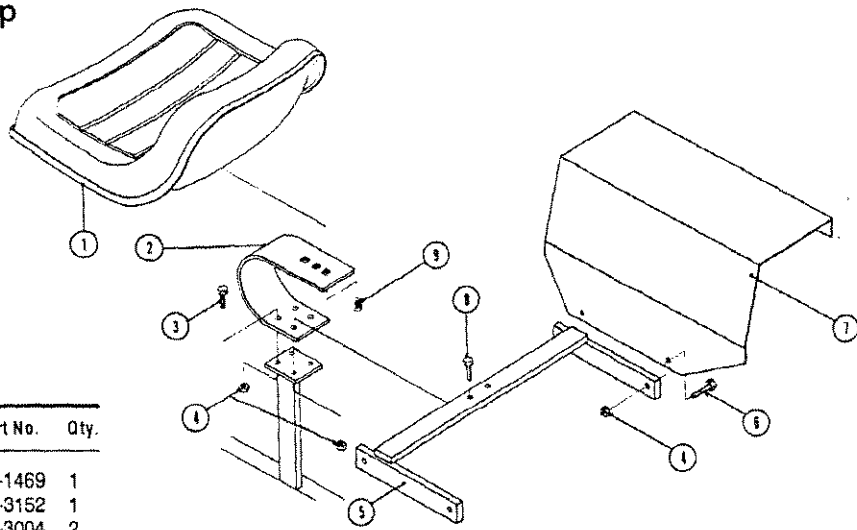
New One Piece Tie Rod Assembly

Engine Group

Item	Description	Part No.	Qty.
1.	7" Transmission Pulley	372-1470	1
2.	#9 Woodruff Key	68-0009	1
3.	Main Drive Belt	392-3640	1
4.	4" Engine Pulley	372-1608	2
5.	1/4 x 2 Sq. Key	68-0432	1
6.	5/16-18x3/4 Hx Hd Cp Screw	847-2803	2
7.	Belt Retainer Weldment	444-7011	2
8.	7/16-14x3/4 Hx Hd Cp Screw	847-3303	1
9.	Muffler Strap Weldment	71-7002	1
10.	Sq. Hd. Set Screw	849-2858	1
11.	Muffler	71-3969	1
12.	Exhaust Pipe	30-4601	1
13.	90° Elbow	867-9075	1
14.	Locking Ring	930-7500	1
15.	11 H.P. Engine	30-2524	1
16.	Soc Hd Set Screw 5/16-18x1/2	876-2802	1
17.	Oil Plug Decal	42-1503	1



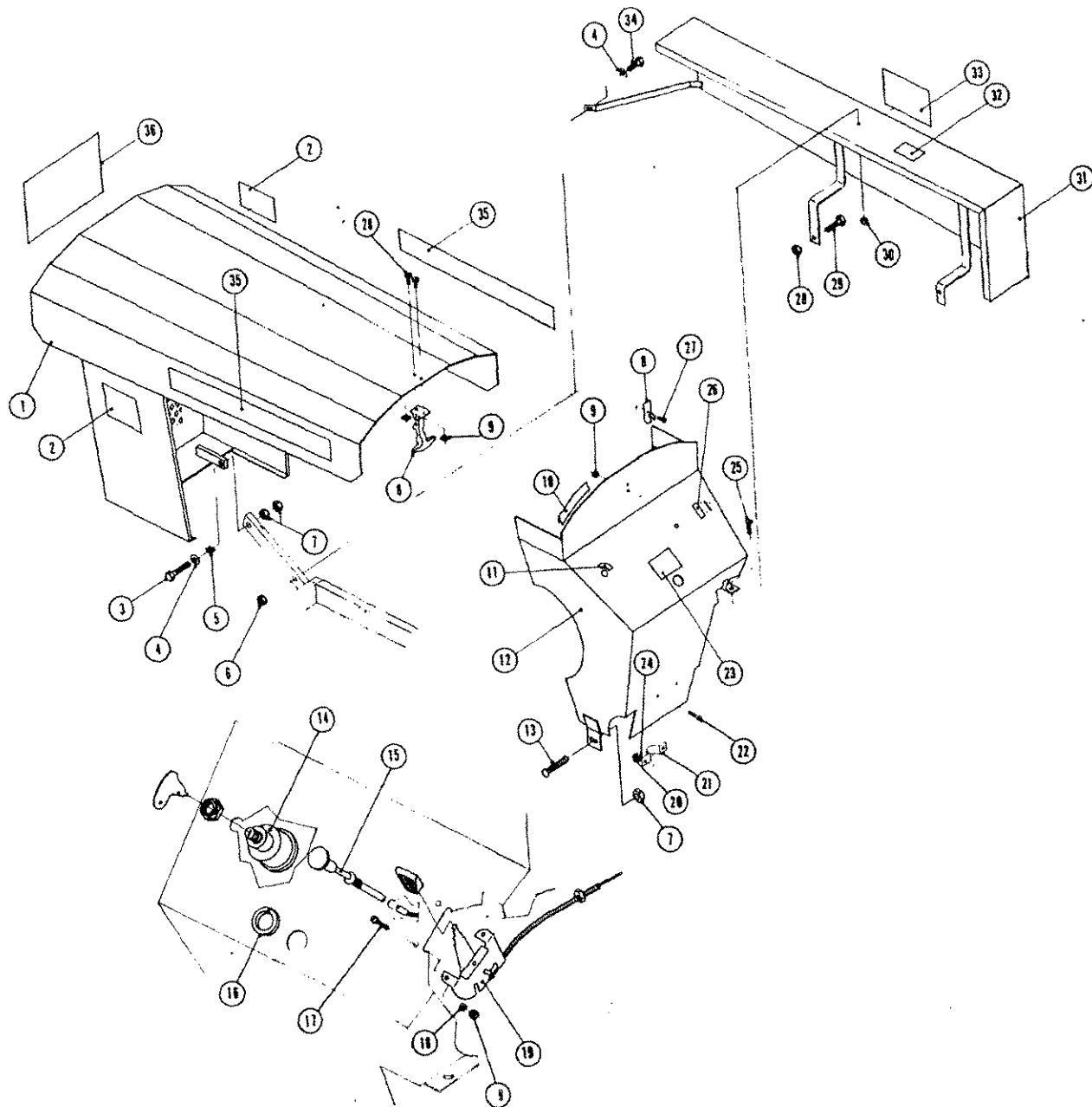
Seat and Fender Group



Item	Description	Part No.	Qty.
1.	Deluxe Seat Cushion	43-1469	1
2.	Seat Spring	340-3152	1
3.	3/8 - 16 x 1" Hx. Hd. Cp. Screw	847-3004	2
4.	3/8 - 16 Locknut	919-3000	4
5.	Fender Support Weldment	1739-7005	1
6.	1/8-16 x 1 1/4 Hx. Hd. Cp. Screw	847-2806	4
7.	R.H. Fender	1939-7503	1
	L.H. Fender	1939-7504	1
8.	7/8-16 x 1 1/4 Hx. Hd. Cp. Screw	847-3005	2
9.	1/2-20 x 1 1/4 Hx. Hd. Cp. Screw	847-3405	1
10.	3/8 - 16 Hx. Nut	919-2800	4

Sheet Metal Group

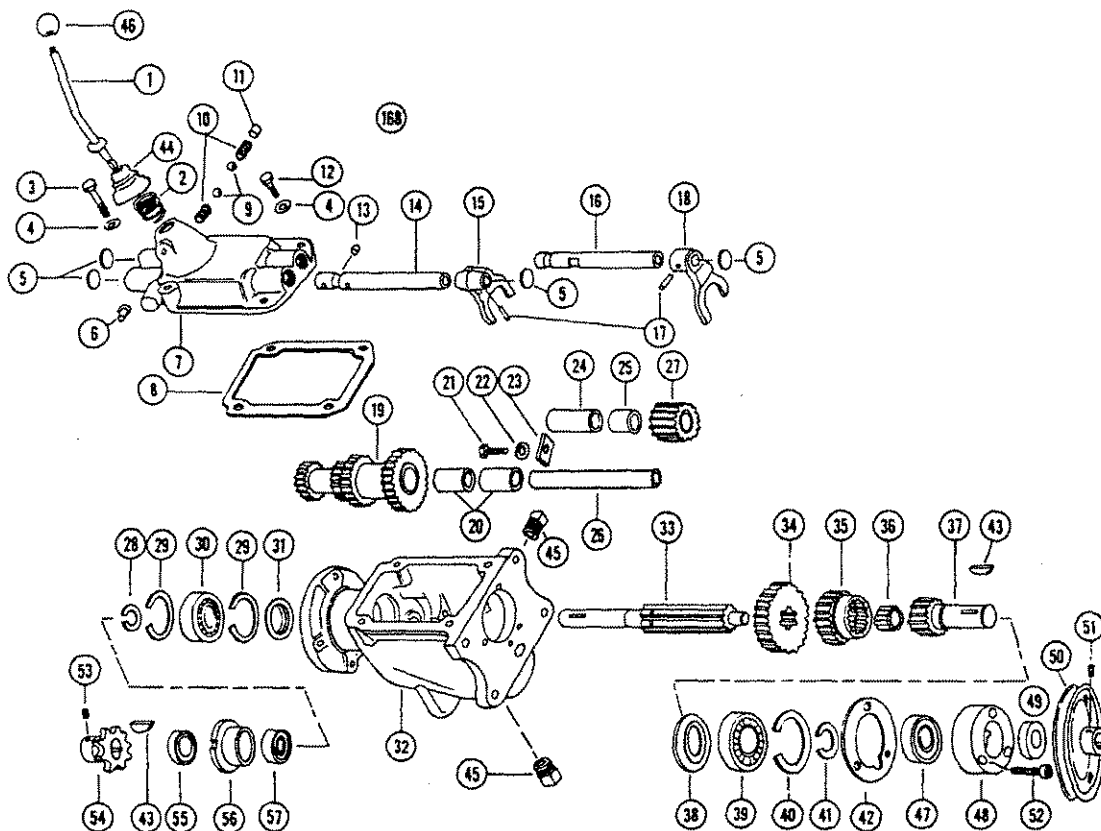
Item	Description	Part No.	Qty.
1.	Hood Weldment	1939-7003	1
2.	Model 1130 Decal	42-1130	2
3.	5/16x18x1 3/4 Hx. Hd. Cp. Scr.	847-2807	2
4.	5/16 Plain Washer	80-0228	2
5.	Spring	341-1306	2
6.	5/16-18 Nut	902-2800	1
7.	5/16-18 Nut	902-2800	5
8.	Hood Latch	37-7110	1
9.	#6 Hx. Nuts	916-1532	6
10.	Wire Enforced Trim	3219-0601	24"
11.	Ignition Switch Decal	42-1013	1
12.	Dash Weldment	1739-7004	1
13.	5/16-18x1" Carriage Bolt	843-2808	1
14.	Ignition Switch	33-9451	1
15.	Choke Control Assembly	36-6024	1
16.	Steering Column Grommet	38-0557	1
17.	#6-32x1/2 Rd. Hd. Scr.	811-2234	2
18.	#6 Lockwasher	80-0515	4
19.	Throttle Control Assembly	36-8026	1
20.	#10-32 Nuts	916-1532	2
21.	Steering Column Clamp	2439-3504	1
22.	#10-32x3/4 Rd. Hd. Scr.	811-2234	2
23.	Caution Decal	42-1111	1
24.	#10 Lockwasher	80-0520	2
25.	#10-32 1/2 Rd. Hd. Scr.	811-2212	2
26.	Throttle Control Decal	42-1012	1
27.	#6-32x3/8 Hx. Hd. Cp. Scr.	811-1538	3
28.	3/8-16 Hx. Nut	919-3000	1
29.	3/8-16x1 1/2 Hx. Hd. Cp. Scr.	847-3005	1
30.	#10-32 Snap on Nut	907-2000	2
31.	Belt Guard Weldment	1739-7003	1
32.	Shift Pattern Decal	42-1103	1
33.	Small Eagle Decal	42-1106	1
34.	5/16-18x1 1/4 Hx. Hd. Cp. Scr.	847-2805	1
35.	"Speedex" Script Decal	42-1104	2
36.	Large Eagle Decal	42-1105	1



1130

3 Speed Transmission Service Parts Breakdown

1130



Item Code No.	Description	Item Code No.	Description
*N.I. 1AT92-148A	Complete control assembly with AC92-2	26.	2407-9241 Countershaft
*N.I. 2407-8002	Complete control assembly with AC92-2B	27.	2407-9214 Reverse idler gear and bushing assembly
1.	2407-1501 Control lever assembly	28.	2407-9238 Snap ring
AC92-2A	Control lever assembly	29.	2407-9235 Main shaft bearing snap ring
AC92-2B	Control lever assembly, straight	30.	2407-9203 Main drive gear bearing
AC92-2E	Control lever assembly	31.	2407-0137 Oil Retaining washer, rear
*N.I. C2-2- 1/2	Fulcrum ball	32.	2407-9208 Transmission case
*N.I. X19C6	3/16 x 7/16 Round Pin (Used to retain Fulcrum ball)	33.	2407-1001 Main shaft
2.	2407-9243 Control lever support spring	34.	2407-9216 Main shaft low and reverse gear
3.	847-2806 5/16-18 x 1-1/2 hex head bolt	35.	2407-9215 Main shaft second speed gear
4.	80-0528 5/16 lockwasher (need 4)	36.	2407-9202 Bearing roller (need 13)
5.	2407-9228 5/8 expansion plug (need 4)	37.	2407-1002 Main Drive gear
6.	2407-9224 Control housing pin	38.	2407-9136 Oil retaining washer, front
7.	2407-9220 Control housing	39.	2407-9204 Main drive gear bearing
8.	2407-9212 Control housing gasket	40.	2407-9236 Main drive gear bearing snap ring
9.	2407-9201 5/16 Steel ball (need 2)	41.	2407-9237 Main drive gear snap ring
10.	2407-9224 Poppet spring (need 2)	42.	2407-9211 Main drive gear bearing retainer gasket
11.	2407-9227 Poppet spring seat	43.	68-0009 Woodruff key 606 (need 2)
12.	847-2803 5/16-18 x 3/4 hex head bolts (need 6)	44.	44-5940 Rubber boot
13.	2407-9229 Interlock Plunger	45.	866-7102 1/2 Pipe plug (need 2)
14.	2407-9223 Shift rail, low and reverse	*N.I. NA	Speedometer gear spacer (for early models)
15.	2407-9210 Shift fork, low and reverse	46.	44-0095 Shifter knob
16.	2407-9231 Shift rail, high and intermediate	47.	40-1640 Bearing
17.	2407-9225 Shift fork pin (need 2)	48.	2407-4001 Bearing retainer
18.	2407-9209 Shift fork, high and intermediate	49.	85-8796 Oil seal
19.	2407-9213 Countershaft gears and bushing assembly	50.	372-1470 7" pulley "B" section 7/8 Bore
20.	Not Serviced Countershaft gear bushings (need 2)	51.	876-2805 5/16-18 x 5/16 soc. set screw
21.	847-2602 1/4-20 x 1/2 hex head bolt	52.	875-2805 5/16 x 1 1/4 soc. hd. cp. screw (need 3)
22.	80-0526 1/4 lockwasher	53.	876-2601 1/4-20 x 1/4 soc. set screw
23.	2407-9226 Idler and countershaft lock plate	54.	365-4011 11 tooth sprocket 3/4 bore
24.	2407-9239 Reverse Idler shaft	55.	85-7628 Oil seal
25.	2407-9240 Reverse Idler gear bushing	56.	2407-4002 Bearing retainer
		57.	40-3124 Bearing

*N.I. Not Illustrated.