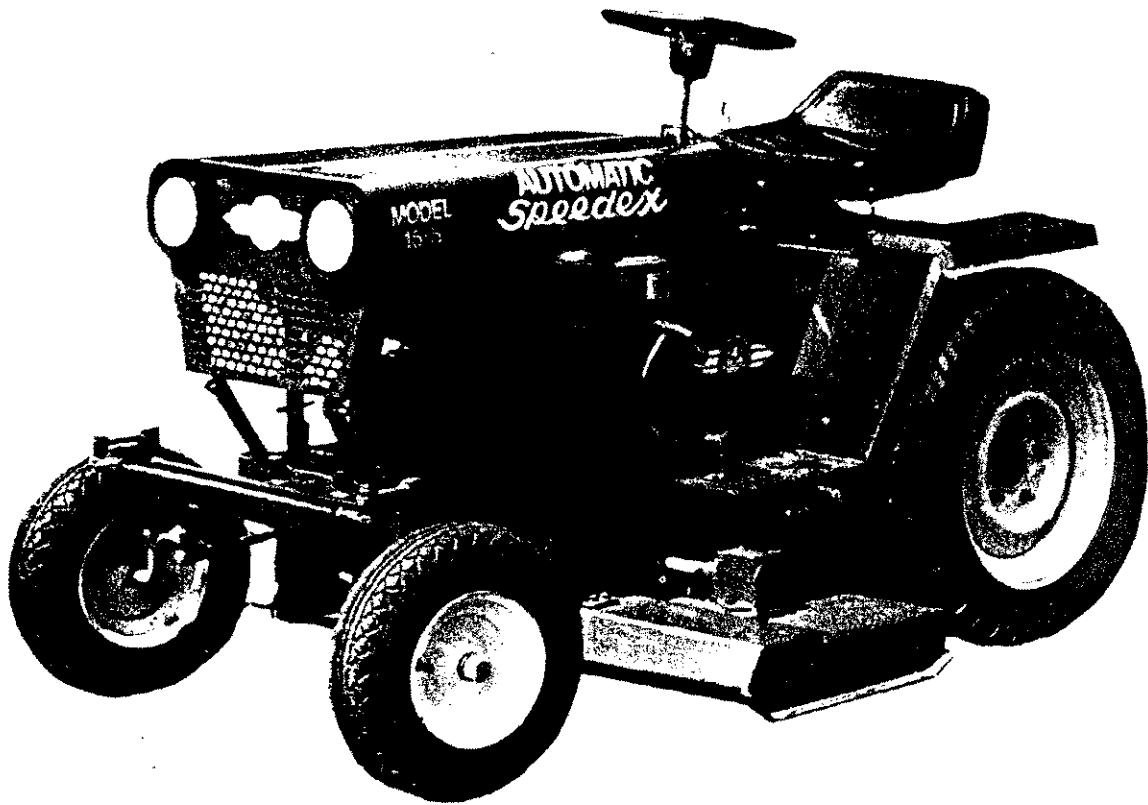


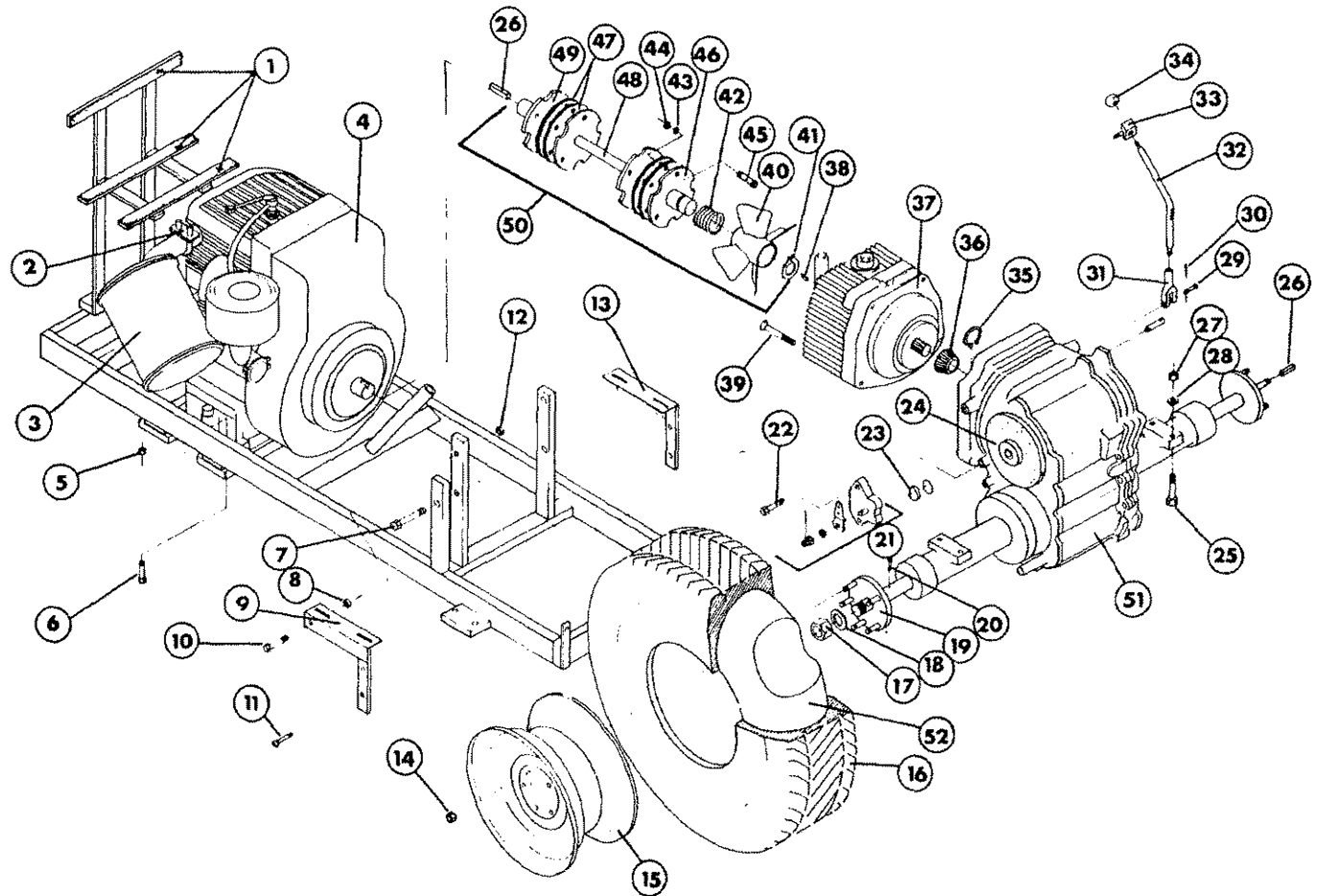
**Speedex
Owner and Parts
Manual for
Model 1622
Hydrostatic Tractor**



Speedex Tractor Company

DRIVE GROUP

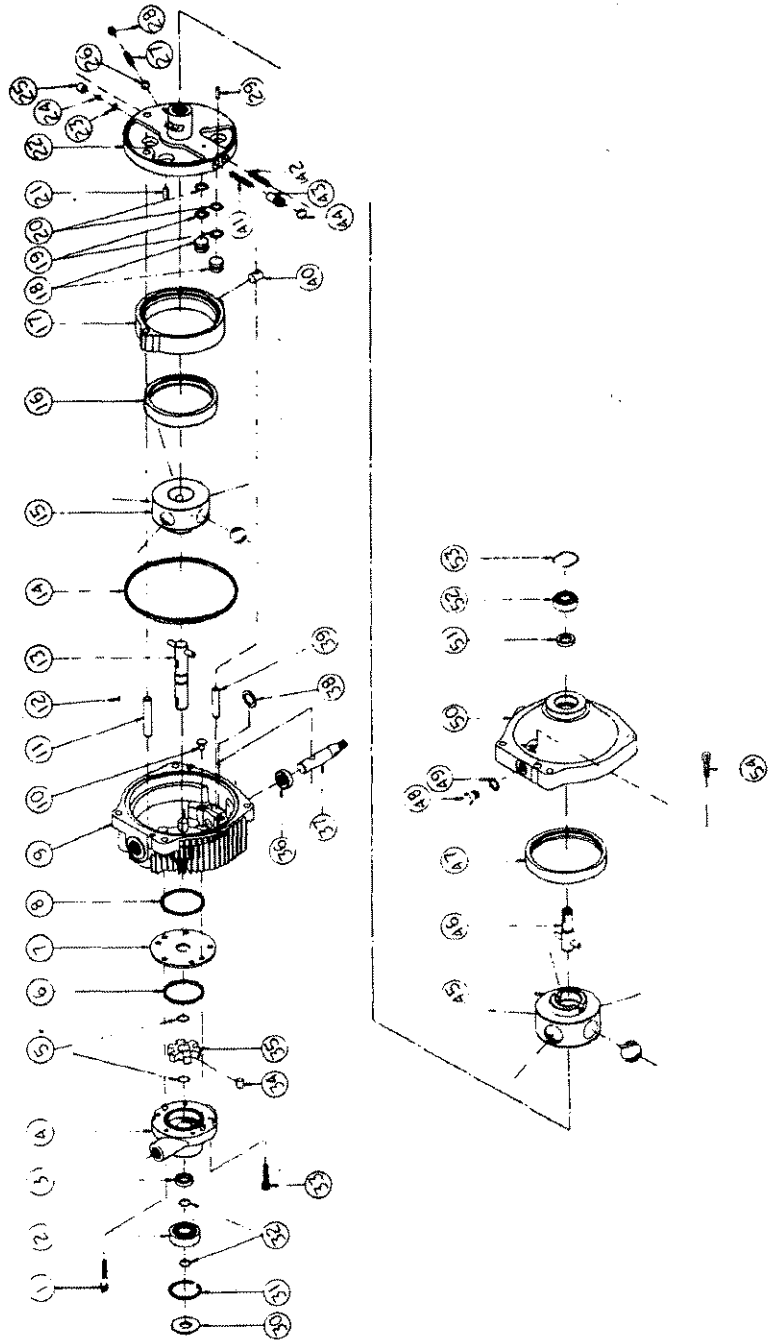
Item	Description	Part No.	Qty.
1	rubber tank guards	46-0103	3
2	muffler clamp	71-0114	1
3	muffler	71-1751	1
4	18 HP B/S engine	30-3238	1
5	5/16-18 lock nut	919-2800	4
6	5/16-18 x 1 1/2 slotted flat hd. screw	850-2806	4
7	1/2-13 x 4 HHCS	847-3416	1
8	spacer tube, 3/8"	1926-4001	2
9	L.H. seat mount	3501-7009	1
10	3/8-16 x 1 1/2 HHCS	847-3006	2
11	1/2-13 x 1 1/4 slotted flat hd screw	850-3405	4
12	3/8-16 lock nut	919-3000	2
13	R.H. seat mount	3501-7002	1
14	1/2-20 lug nut	914-3500	10
15	15" rim for turf tire	41-4515	1
15A	16" rim for agric. tire(optional)	41-4516	1
16	8 x 15 tire, turf	41-3815	1
16A	6 x 16 tire, agric (optional)	41-2616	1
17	3/4 - 16 Hx Jam lock nut	918-4200	2
18	3/4" flat washer	80-0242	2
19	wheel hub	3507-8001	2
20	3/4-16 sq. hd set screw	849-3003	2
21	brake caliper assy.	79-6148	1
22	3/8 - 16 x 1 1/2 HHCS	847-3006	2
23	disc pad	79-1006	2
24	brake hub & disc	79-5214	1
25	3/8-16 x 2 1/4 HHC S	847-3009	4
26	1/4 x 2" square key	68-0432	3
27	3/8-16 lock nut	919-3000	4
28	3/8" flat washer	80-0230	8
29	3/8" x 1" clevis pin	51-0608	1
30	3/32" x 1" cotter pin	52-0108	1
31	yoke	62-3000	1
32	Hi-low shifter rod	3506-1501	1
33	trunnion	444-2020	1
34	shifter knob	44-0095	1
35	snap ring, 3/4"	58-0075	1
36	bevel gear	354-1213	1
37	hydrostatic transmission	3512-0001	1
38	#6 woodruff key	68-0006	1
39	3/8-16 x 3 HHCS	847-3012	4
40	cooling fan	3512-0180	1
41	snap ring	58-0150	1
42	spring	342-4120	1
43	3/8" flat washer	80-0230	12
44	3/8-16 lock nut	919-3000	12
45	3/8-16 x 1 1/4 HHCS	847-3005	12
46	driven hub	3512-7003	1
47	rubber disc	3512-0046	4
48	drive shaft	3512-7002	1
49	drive hub	3512-7001	1
50	drive shaft assy (inc 40-49)	3512-8001	1
51	transaxle mdl #2526	3512-0002	1
52	8" x 15" tube, turf	41-0815	1
52A	6" x 16" tube, agric.(optional)	41-1616	1



M-11 HYDROSTATIC TRANSMISSION 3512-0001

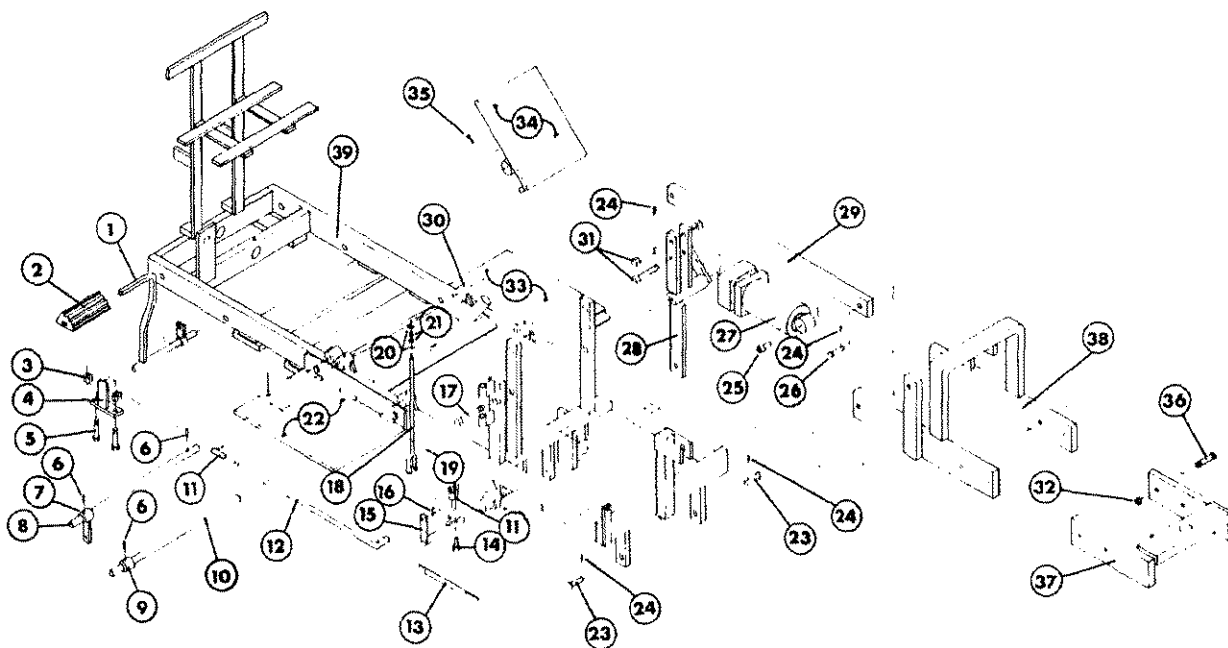
Item	Description	Part No.	Qty.
1	Soc. Hd. Cap Screw (5/16-18x1 3/4 lg)	3512-0101	1
2	Ball Bearing (Input)	3512-0102	1
3	Oil Seal	3512-0103	1
4	Charge Pump Subassembly	3512-0104	1
5	Snap Ring	3512-0105	N/R
6	Square Cut Seal Ring (-036)	3512-0106	1
7	Pump Plate	3512-0107	1
8	Square Cut Seal Ring (-038)	3512-0108	1
9	Cover Subassembly	3512-0109	1
10	Button	3512-0110	2
11	Pivot Pin Dowel	3512-0111	1
12	Drive Pin	3512-0112	1
13	Input Shaft Subassembly	3512-0113	1
14	Square Cut Seal Ring (-166)	3512-0114	1
15	Pump Rotor - Ball Subassembly	3512-0115	1
16	Pump Race	3512-0116	1
17	Cam Ring	3512-0117	1
18	Piston	3512-0118	2
19	Back-Up Ring (-115)	3512-0119	2
20	O-Ring (-115)	3512-0120	2
21	Coil Pin (5/16 Dia. x 3/4 Lg.)	3512-0121	1
22	Pintle Subassembly	3512-0122	1
23	Retaining Ring	3512-0123	2
24	Grade 200 Ball (5/16 Dia.)	3512-0124	2
25	Check Valve Body	3512-0125	2
26	Grade 200 Ball (7/16 Dia.)	3512-0126	1
27	Relief Valve Spring	3512-0127	1
28	Relief Valve Plug	3512-0128	1
29	Dowel Pin	3512-0129	1
30	Grass Shield	3512-0130	N/R
31	Retaining Ring (-185)	3512-0131	1
32	Snap Ring	3512-0132	2
33	Soc. Hd. Cap Screw (5/16-18x1 1/4 Lg)	3512-0133	4
34	Roll	3512-0134	6
35	Carrier	3512-0135	1
36	Oil Seal	3512-0136	1
37	Control Shaft	3512-0137	1
38	Control Shaft Washer	3512-0138	1
39	Dowel (7/16 Dia. x 2" Lg.)	3512-0139	1
40	Cam Ring Insert	3512-0140	1
41	Acc. Valve Spring (Upper)	3512-0141	1
42	Acc. Valve Spring (Lower)	3512-0142	1
43	Acc. Valve Body	3512-0143	2
44	Grade 200 Ball (5/8 Dia.)	3512-0144	2
45	Motor Rotor - Ball Subassembly	3512-0145	1
46	Output Shaft Subassembly	3512-0146	1
47	Motor Race	3512-0147	1
48	O-Ring Plug Subassembly (-6)	3512-0148	1
49	Tube Fitting O-Ring (-6)	3512-0149	1
50	Body	3512-0150	1
51	Oil Seal	3512-0151	N/R
52	Ball Bearing (Output)	3512-0152	1
53	Retaining Ring	3512-0153	1
54	Soc. Hd. Cap Screw (5/16-18x1 1/4 Lg)	3512-0154	2

- (a) Also included in Item 4
- (b) Includes Items 3, 34, and 35
- (c) Includes Items 11, 36, 37, 38, and 39
- (d) Also included in Item 9
- (e) Also available in Cam Ring Subassembly 101904-(1) which includes Items 16 and 17
- (f) Also included in Item 22
- (g) Includes Items 18, 19, 20, 21, 23, 24, 25, 26, 27, 28, 29, 41, 42, 43, and 44
- (h) Also available in body Subassembly 102583 (1) which includes Items 46, 47, 50, 51, 52, and 53
- (i) Includes Item 49
- (j) Also included in Item 48
- (k) Also available in Charge Pump Kit 990233 (1) which includes Items 1, 4, 6, 7, 8, 12, 32, and 33



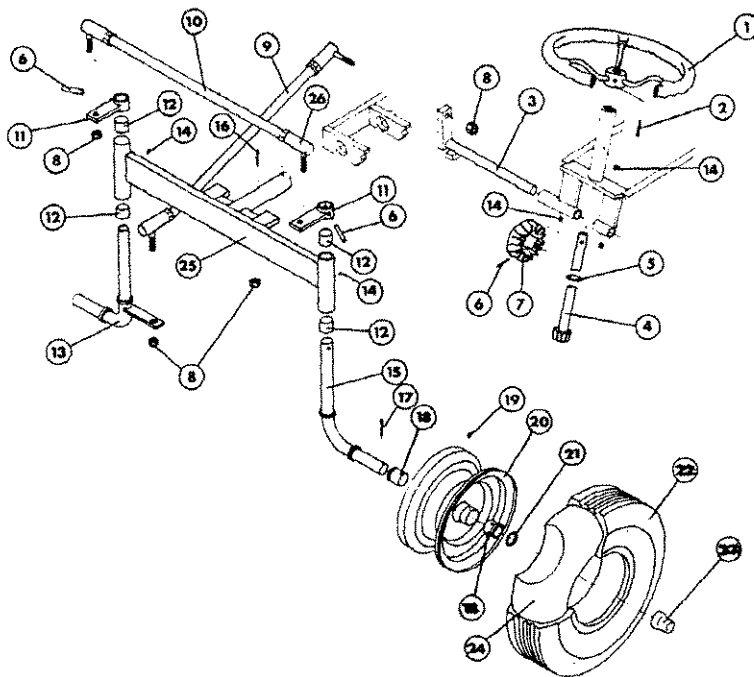
Frame Group

1	brake pedal weldment	3510-7002	1
2	rubber foot pedal	46-0114	1
3	5/16-18 Hx lock nut	919-2800	2
4	pedal anchor weldment	3510-7001	1
5	5/16-18 x 1 1/4 HHCS	847-2805	2
6	1/4 spirol pin	53-0514	6
7	clutch tab weldment	3506-7002	1
8	clutch pedal rod	3506-1001	1
9	spacer tube	3306-4001	2
10	lift pivot rod	3504-1001	1
11	yoke	62-3000	1
12	brake rod weldment	3510-7005	1
13	brake spring	343-5000	1
14	3/8-16 x 1 1/2 HHCS	847-3006	1
15	brake arm weldment	3510-7003	1
16	brake linkage bar	3510-2001	1
17	1/2-13 x 4 HHCS	847-3416	1
18	parking brake rod	3510-7004	1
19	Cotter pin 1/8" x 1"	52-0200	1
20	3/8" flat washer	80-0230	2
21	spring	341-1510	2
22	L.H. Step weldment	3539-7003	1
23	5/8" x 2 1/2" clevis pin	51-1020	2
24	#9 hair pin	54-0009	4
25	cylinder bushing	3504-4002	1
26	1/2" x 1 1/2" clevis pin	51-0812	1
27	cylinder	79-1840	1
28	lift weldment	3504-7001	1
29	lift bar	3504-2004	1
30	grease fitting	862-0501	6
31	5/8" x 3" clevis pin	51-1024	2
32	3/8-16 heavy hx nut	904-3000	4
33	R.H. foot step	3539-7002	1
34	clutch pedal	3506-7003	1
35	3/8" x 3/4" sq hd set screw	849-3003	1
36	3/8-16 x 1 1/4 HHCS	847-3007	4
37	rear hitch weldment	2404-7003	1
38	2-point hitch	3504-7002	1
39	1622 frame weldment	3501-7001	1



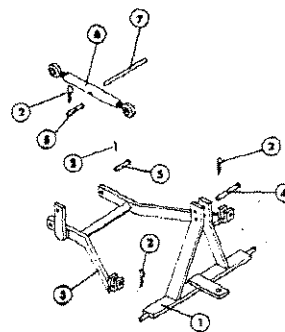
FRONT END & STEERING

Item	Description	Part No.	Qty.
1	steering wheel	44-2885	1
2	spiral pin, 1/4"	53-0514	1
3	pitman arm weldment	3502-7001	1
4	steering column	1902-7003	1
5	spacer shim	80-1042	2
6	spiral pin 5/16"	53-0613	3
7	steering output gear	352-0724	1
8	lock jam nut 5/8-18	903-3900	4
9	drag link assembly	3502-8003	1
10	tie rod assembly	3403-8002	1
11	steering tab	1703-7001	2
12	spindle bushing	40-1139	4
13	R. H. spindle	2403-7002	1
14	grease fitting	862-0501	5
15	L. H. spindle	2403-7003	1
16	cotter pin 1/4" x 2 1/2"	52-0520	1
17	cotter pin 1/8" x 1 1/2"	52-0212	2
18	front wheel bushing	40-5416	4
19	grease fitting	862-0501	5
20	front wheel rim	41-4008	2
21	spacer shim	80-1144	2
22	4.80" x 8" tire	41-2488	2
23	hub cap	41-0101	2
24	4.80" x 8" tube	41-1408	2
25	front axle weldment	2403-7001	1
26	tie rod end links	63-3808	4



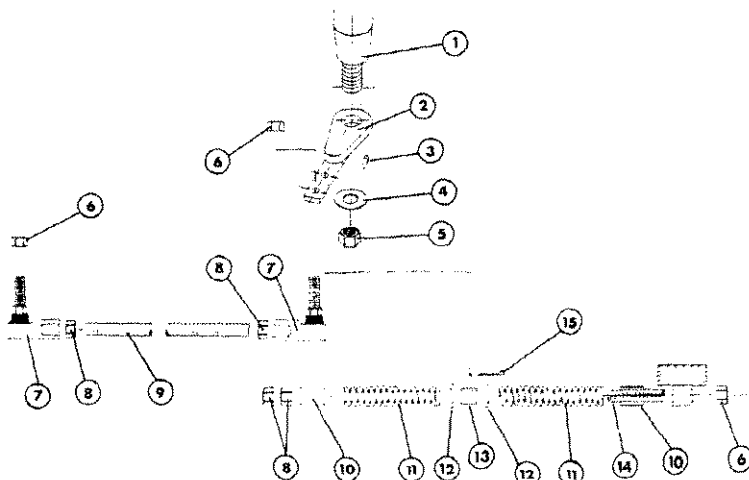
3-POINT HITCH ASSEMBLY

1	low hitch	3304-7002	1
2	#9 hair pin	54-0009	5
3	3-point hitch	3504-7003	1
4	5/8" x 3" clevis pin	51-1024	1
5	5/8" x 2 1/2" clevis pin	51-1020	2
6	third arm, adjusting	3304-8012	1
7	pin, adjusting	3304-1003	1



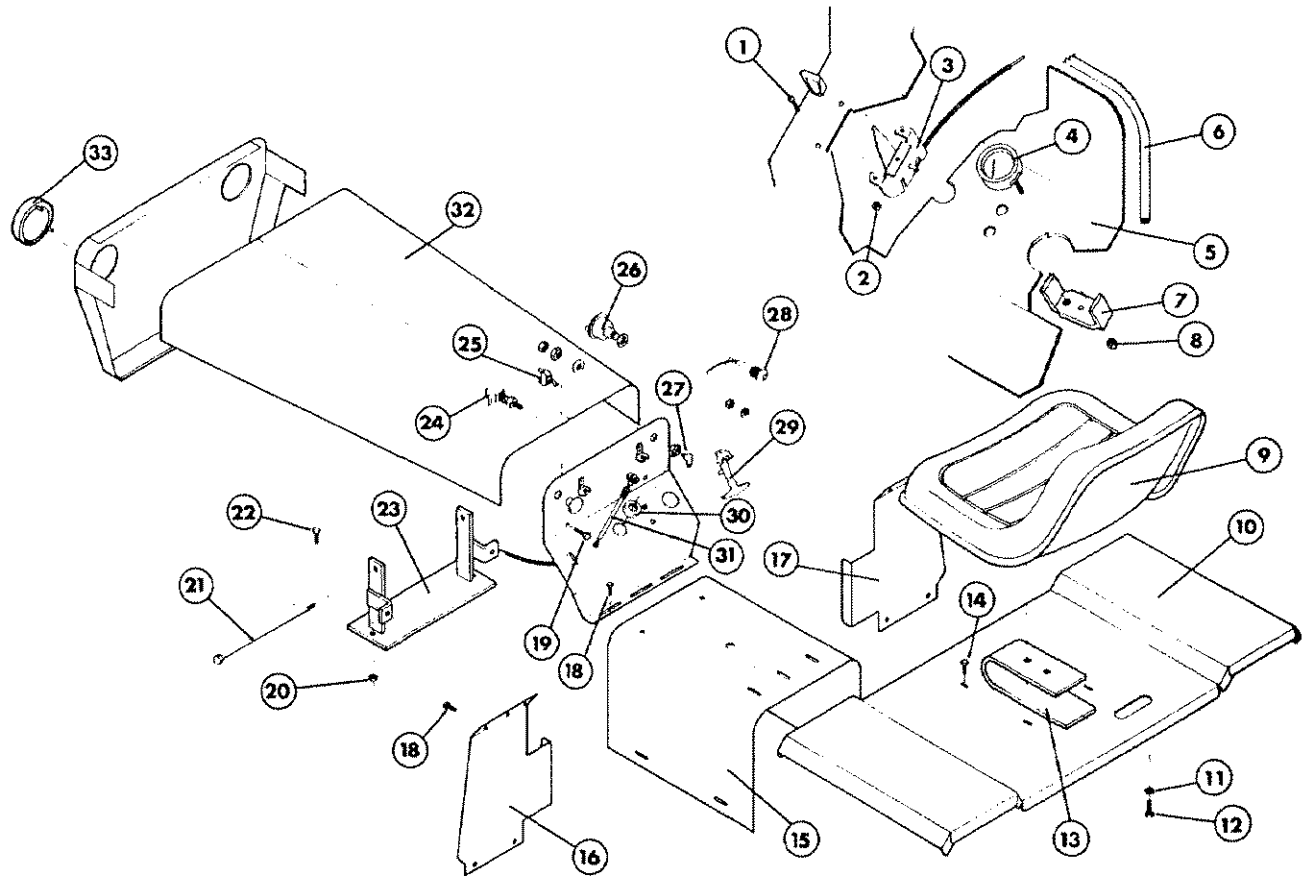
CLUTCHING ASSEMBLY

Item	Description	Part No.	Qty.
1	Part of Transmission	3512-0002	1
2	Drive lever	3512-0701	1
3	Woodruff Key #6	68-0006	1
4	1/2" flat washer	80-0234	1
5	1/2-13 lock nut	919-3400	1
6	3/8-24 lock nut	919-3100	3
7	3/8" ball joint end	63-3803	2
8	3/8-24 nut	902-3100	4
9	drive rod 12"	3506-1002	1
10	spacer tube	444-4008	2
11	clutch spring	342-4000	2
12	3/8" flat washer	80-0230	2
13	trunnion	444-2020	1
14	tensioner rod 10"	3506-1003	1
15	cotter pin	52-0208	2



SHEET METAL

Item	Description	Part No.	Qty.
1	#6-32 x 1/2" slotted machine screw	811-1512	3
2	#6-32 hex nut	902-1500	3
3	throttle assembly, 26"	36-5026	1
4	ammeter	35-4015	1
5	dash weldment	3539-7503	1
6	wire enforced trim	3209-0601	+
7	ammeter bracket	35-4016	1
8	#10-32 hex nut	902-2200	2
9	low back seat (std)	43-1469	1
9A	sliding deluxe seat (opt)	43-1720	1
10	fender cover weldment	3539-7501	1
11	1/2" lock washer	80-0534	1
12	1/2-13 x 1 1/4" HHCS	847-3405	1
13	seat spring	340-3016	1
14	5/16-18 x 1 1/4" carriage bolt	843-0510	7
15	drive cover	3539-3501	1
16	L.H. wheel guard	3539-3504	1
17	R.H. wheel guard	3539-3503	1
18	#10-32 x 1/2 slotted machine screw	811-2212	7
19	1/4-20 x 1 1/2" carriage bolt	843-0412	2
20	5/16-18 hex nut	902-2800	2
21	battery bolt	895-2836	2
22	5/16-18 x 3/4" HHCS	847-2803	2
23	battery box	3539-7001	1
24	light switch	33-5007	1
25	P.T.O. switch	33-5565	1
26	key switch	33-9520	1
27	key for "33-9520"	33-3353	2
28	P.T.O. light	33-0005	1
29	hood latch assembly	37-7110	2
30	steering grommet	46-0101	1
31	choke cable assembly	36-6025	1
32	hood weldment	3539-7504	1
33	headlights	35-3800	2
NS	#10-32 hex nut	902-2200	1
NS	1/4-20 hex nut	902-2600	1
NS	5/16-18 hex nut	902-2800	1
NS	#10 lock washer	80-0520	1
NS	1/4" lock washer	80-0526	1
NS	5/16" lock washer	80-0528	1
NS	#10 flat washer	80-0220	1
NS	1/4" flat washer	80-0226	1
NS	5/16" flat washer	80-0228	1
NS	decals kit for 16-H	42-8022	1
+	order in lengths		
NS	not shown		



TRANSAXLE - 3512-0200

Model No. 2526

Item	Description	Part No.
1	Case Assy., Transaxle (Incl. Nos. 2 thru 5)	3512-0201
2	Bearing, Needle	3512-0202
3	Bearing, Needle	3512-0203
4	Bearing, Needle	3512-0204
5	Bearing, Needle	3512-0205
6	Cover Assy., Transaxle (Incl. Nos. 3, 4 & 5)	3512-0206
7	Gear, Ring	3512-0207
8	Gear, Side	3512-0208
9	Gear, Pinion	3512-0209
10	Core, Body	3512-0210
11	Carrier, Differential	3512-0211
12	Carrier, Differential	3512-0212
13	Axle, Left Hand	3512-0213
13A	Axle, Right Hand	3512-0214
14	Ring, Snap	3512-0215
15	Screw, Hex hd. mach., 3/8-16x3-3/8	
16	Lockwasher, 3/8"	3512-0217
17	Washer, Thrust	3512-0218
18	Shaft, Counter	3512-0219
19	Shaft, Brake	3512-0220
20	Pinion, Output	3512-0221
21	Gear, Bevel (30 teeth)	3512-0222
22	Gear, Spur (16 teeth)	3512-0223
23	Gear, Spur (23 teeth)	3512-0224
24	Gear, Cluster (20 & 27 teeth)	3512-0225
26	Gear, Output (37 teeth)	3512-0226
27	Spacer	3512-0227
28	Spacer	3512-0228
29	Fork, Shift	3512-0229
30	Rod, Shift	3512-0230
31	Gasket, Case & Cover	3512-0231
32	Spacer	3512-0232
33	Plug, Pipe	3512-0233
34	Ring, Snap	3512-0234
35	Pin, Dowel	3512-0235
36	Spring	3512-0236
37	Seal, Oil	3512-0237
38	Plug, Magnetic drain	3512-0238
39	Washer, Thrust	3512-0239
40	Bearing, Thrust	3512-0240
41	Seal, Oil	3512-0241
42	Bearing, Ball	3512-0242
43	Bearing, Thrust	3512-0243
44	Seal, Square cut	3512-0244
45	Screw, Hex hd. mach., 1/2-13x1-1/2	3512-0245
46	Lockwasher, 1/2"	3512-0246
47	Screw, Hex hd. thread forming, 5/16-18 x 1	3512-0247
48	Screw, Set, 1/4-20 x 1/2	3512-0248
49	Ball, Steel	3512-0249
50	Seal, Oil	3512-0250
51	Pinion, Bevel	3512-0251
53	Housing, Axle	3512-0252
53A	Housing, Axle	3512-0253
55	Gasket	3512-0254

