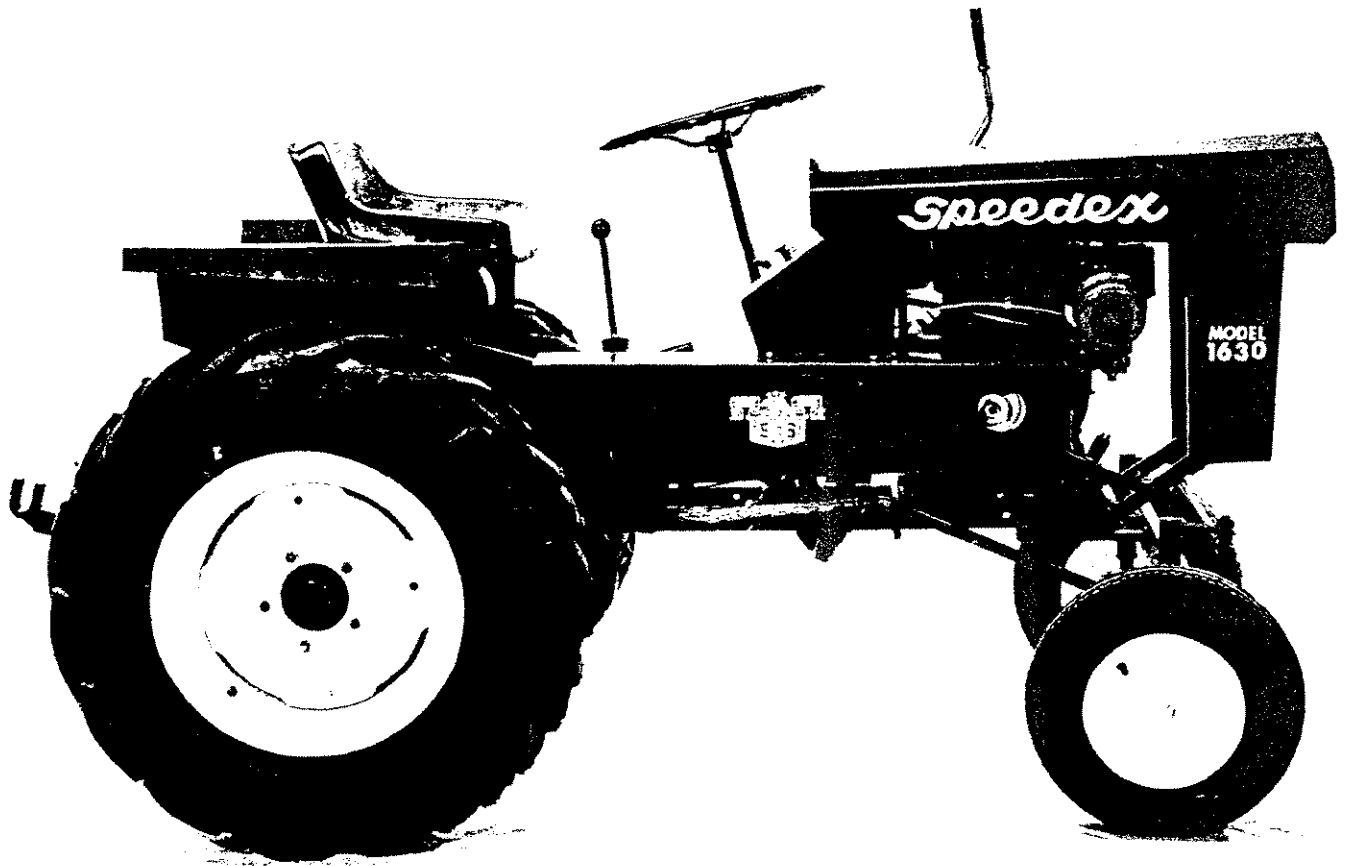


Speedex

Owner and Parts Manual for

Model 1630 Tractor

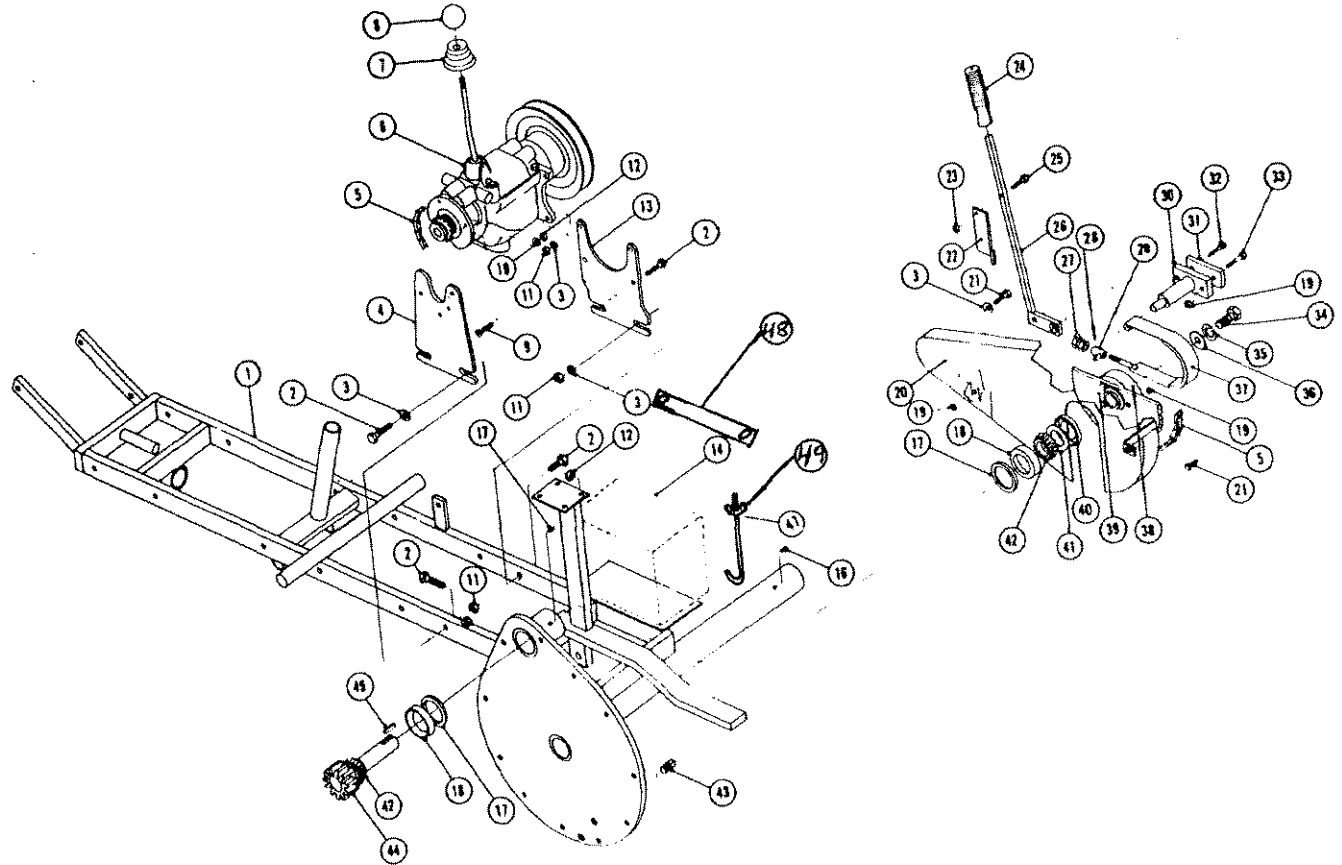


Frame Group

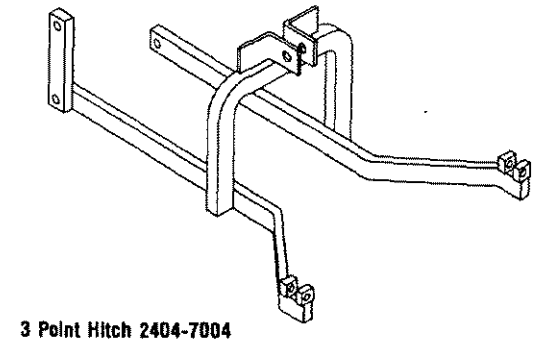
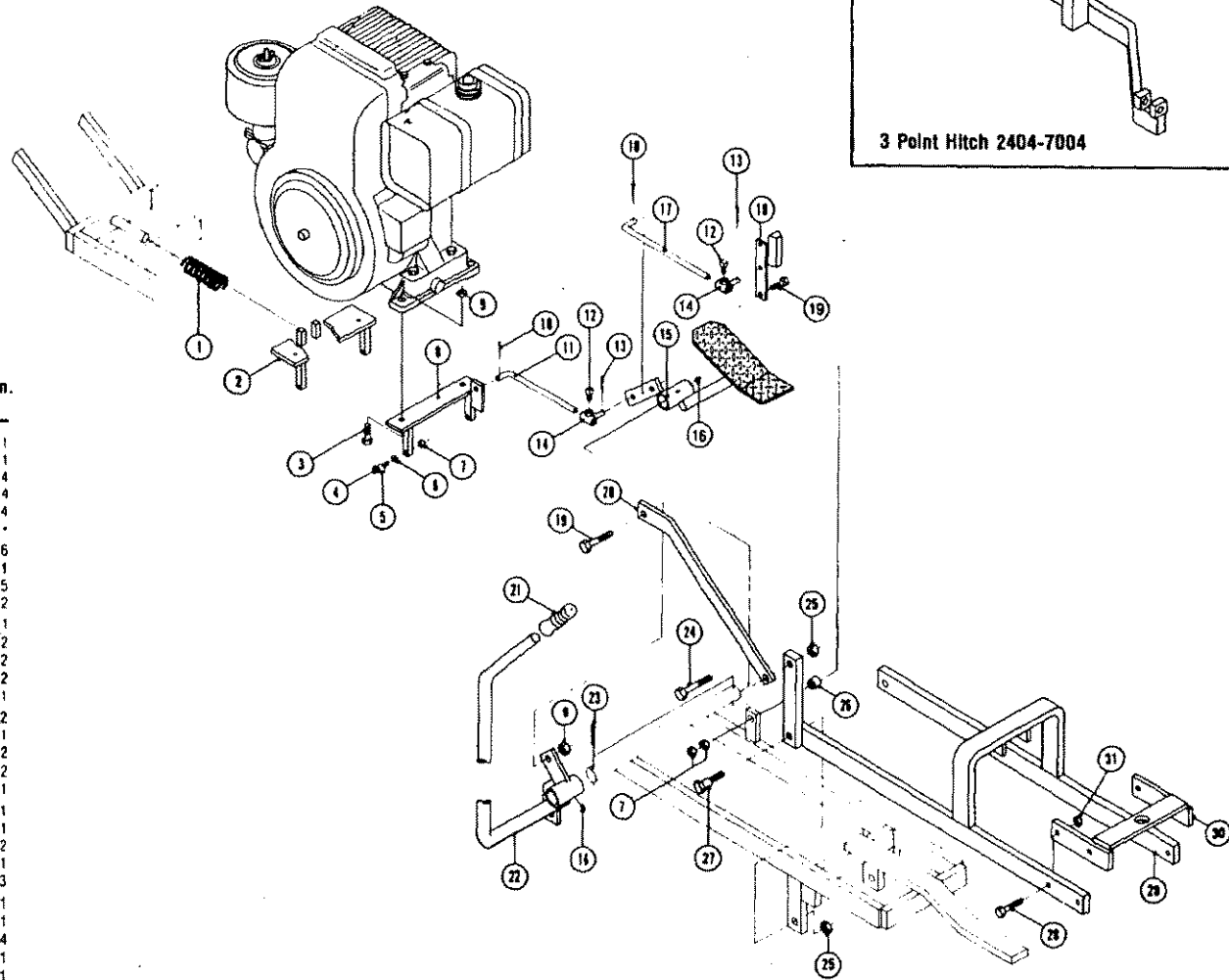
| Item | Description | Part No. | Quan. |
|------|---------------------------------|-----------|-------|
| 1. | Frame Weldment | 2401-7006 | 1 |
| 2. | Screw Hx. Hd. 3/8" x 1-1/4 | 847-3005 | 8 |
| 3. | Lockwasher | 80-0530 | 8 |
| 4. | Support, Transmission, L.H. | 2407-3004 | 1 |
| 5. | Chain Intermediate Drive | 56-4051 | 1 |
| 6. | Transmission, 3-Speed | 2407-8001 | 1 |
| 7. | Boot, Rubber Shift Lever | 44-5940 | 1 |
| 8. | Knob, Shift Lever | 44-0095 | 1 |
| 9. | Screw, Flt. Hd. 5/16" x 1" n.c. | 850-2804 | 3 |
| 10. | Lockwasher | 80-0528 | 3 |
| 11. | Nut Hx. Hd. 3/8" n.c. | 902-3000 | 8 |
| 12. | Nut Hx. Hd. 5/16" n.c. | 850-2800 | 3 |
| 13. | Support, Transmission, R.H. | 2407-3501 | 1 |
| 14. | Battery, 12v dc | 35-4925 | 1 |
| 15. | Pulley 7" x 7/8 | 372-1470 | 1 |
| 16. | Grease Fitting | 862-0501 | 2 |
| 17. | Back-Up Ring, Bearing | 40-5631 | 2 |
| 18. | Race Outer Bearing | 40-7010 | 2 |
| 19. | Locknut, Hx. Hd 5/16" n.c. | 902-2800 | 3 |
| 20. | Guard Chain | 2439-7003 | 1 |
| 21. | Screw, Hx Hd Cap 5/16" x 3/4" | 847-2803 | 4 |
| 22. | Hand Brake Parking Lock | 2410-7007 | 1 |
| 23. | Nut, Hx Hd 1/4" n.c. | 902-2600 | 1 |
| 24. | Grip, Hand Brake Handle | 44-0378 | 1 |
| 25. | Screw, Hx. Hd. Cp 1/4" x 1-1/4" | 847-2605 | 2 |
| 26. | Lever, Hand Brake | 2410-7005 | 1 |
| 27. | Nut, Hx Hd Hvy 3/8" n.c. | 914-3000 | 3 |
| 28. | Cotter Pin | 52-0206 | 1 |
| 29. | Knuckle, Hand Brake Adjust | 1710-7006 | 1 |
| 30. | Anchor, Hand Brake | 2410-7004 | 1 |
| 31. | Keeper, Hand Brake | 2410-2007 | 1 |
| 32. | Screw, Hx. Hd. Cp. 5/16" x 2" | 847-2808 | 1 |
| 33. | Screw, Hd. Hx. Cp. 5/16 x 2-1/2 | 847-2809 | 1 |
| 34. | Screw Hx. Hd. Cp. 5/8" x 1" | 847-3904 | 1 |
| 35. | Lockwasher | 80-0538 | 1 |
| 36. | Washer, Flat | 80-0238 | 1 |
| 37. | Band, Hand Brake | 1710-8003 | 1 |
| 38. | Drum, Hand Brake | 1710-3501 | 1 |
| 39. | Sprocket | 2411-7004 | 1 |
| 40. | Closure Bearing | 40-5633 | 1 |
| 41. | Flinger Bearing | 40-5634 | 1 |
| 42. | Bearing Tapered Roller | 40-7048 | 2 |
| 43. | Plug Oil | 866-7100 | 2 |
| 44. | Gear Pinion | 3311-7002 | 1 |
| 45. | Key Sq. 1/4" x 1" | 68-0416 | 1 |
| 46. | Felt Washer* | 80-1113 | 1 |
| 47. | J-Hook | 856-3140 | 2 |
| 48. | Battery Strap | 35-2001 | 1 |
| 49. | Wing Nut 5/16"-18 | 931-2800 | 2 |

*** Optional Equipment**

| | |
|-----------------------------------|---------|
| The Following are Not Illustrated | |
| Cable 50" Battery to Starter | 32-9250 |
| Cable 13" Battery to Grounding | 32-9213 |



Clutch/Brake and Lift Group



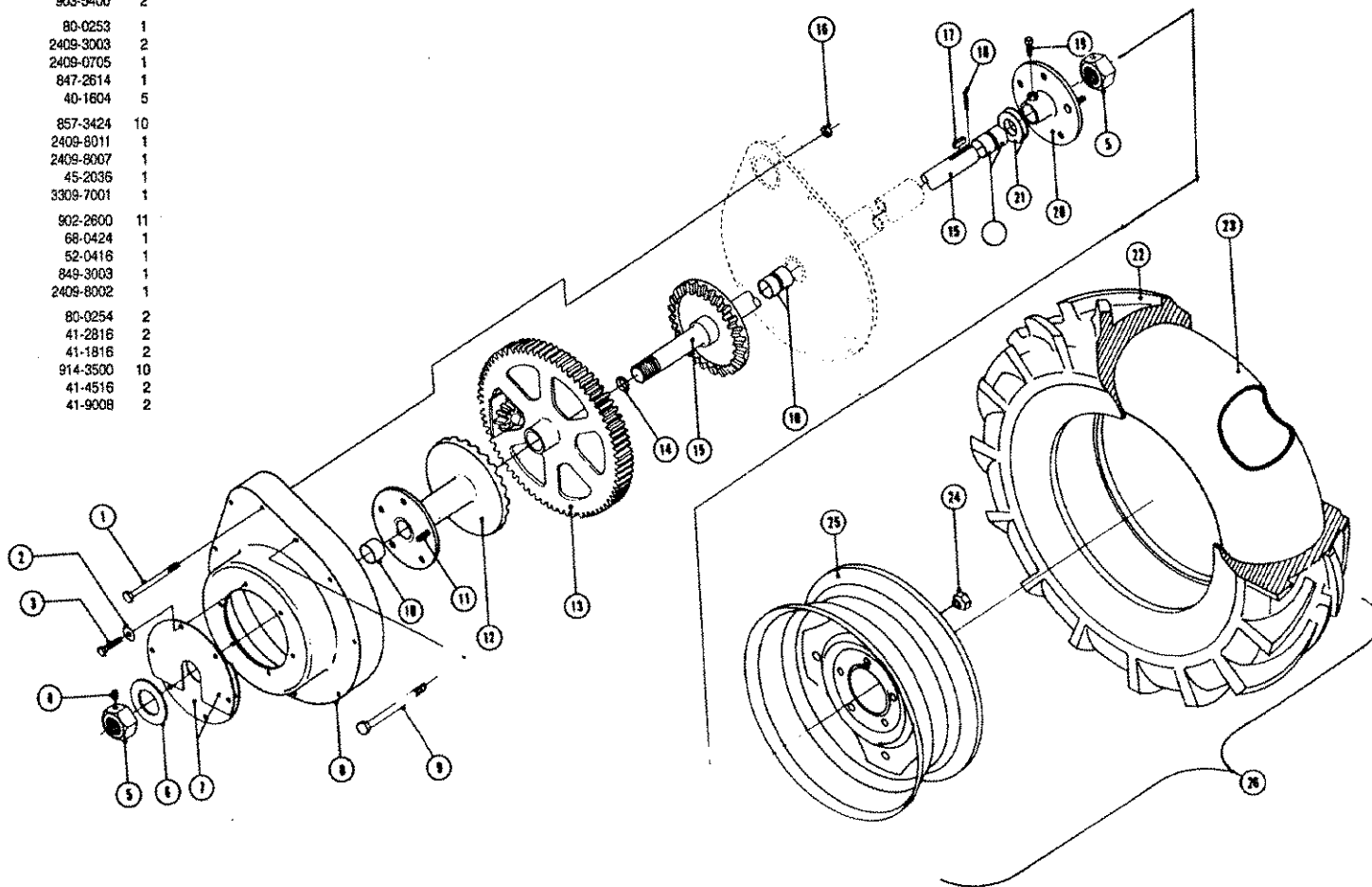
3 Point Hitch 2404-7004

| Item | Description | Part No. | Quan. |
|------|--------------------------------------|-----------|-------|
| 1 | Engine Return Spring | 341-3424 | 1 |
| 2 | Front Engine Mount | 2406-7008 | 1 |
| 3 | 3/8-16 x 1-1/2 Hx. Hd. Cp. Screw | 847-3006 | 4 |
| 4 | 5/16" - 18 x 1-1/2 Hx. Hd. Cp. Screw | 847-2806 | 4 |
| 5 | Eccentric Disc | 48-1005 | 4 |
| 6 | Flat Spacer | 80-1029 | ** |
| 7 | 5/16 - 18 Hx. Nut | 919-2800 | 6 |
| 8 | Rear Engine Mount | 2406-7004 | 1 |
| 9 | 3/8-16 Hx. Nut | 919-3000 | 5 |
| 10 | Cotter Pin | 52-0206 | 2 |
| 11 | Clutch Rod | 2406-1502 | 1 |
| 12 | Set Screw, Sq Hd | 849-3003 | 2 |
| 13 | Cotter Pin | 52-0208 | 2 |
| 14 | Trunnion | 1906-8001 | 2 |
| 15 | Pedal Weldment | 2406-7001 | 1 |
| 16 | Grease Fitting | 862-0501 | 2 |
| 17 | Brake Rod | 2410-1502 | 1 |
| 18 | Service Brake | 2410-8001 | 2 |
| 19 | 3/8-16x1-1/4 Hx. Hd. Cp. Screw | 847-3005 | 2 |
| 20 | Lift Bar | 2404-2502 | 1 |
| 21 | Lift Handle Grip | 44-1556 | 1 |
| 22 | Lift Handle | 2404-7001 | 1 |
| 23 | Cotter Pin | 52-0412 | 2 |
| 24 | 1/2-13 x 1-3/4 Hx. Hd. Cp. Screw | 847-3407 | 1 |
| 25 | 1/2-13 Nut | 919-3400 | 3 |
| 26 | Spacer | 1926-400L | 1 |
| 27 | L.H. Shoulder Bolt | 1904-1004 | 1 |
| 28 | 3/8-16 x 1-3/4 Hx. Hd. Cp. Screw | 847-3007 | 4 |
| 29 | Tool Rack | 2404-7002 | 1 |
| 30 | Rear Hitch | 2404-7003 | 1 |
| 31 | 3/8-16 Heavy Hx. Nut | 904-3000 | 4 |
| 32 | R.H. Shoulder Bolt | 1904-1003 | 1 |
| 33 | Optional 3 Pt. Hitch | 2404-7004 | 1 |

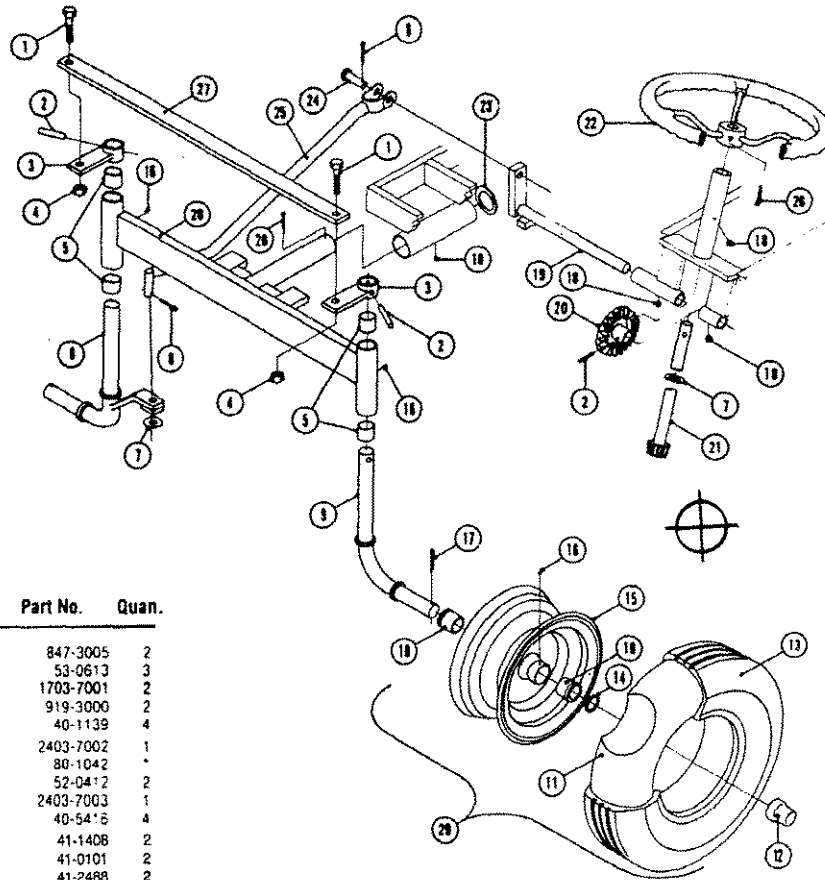
*Not Shown
 ** As Required

Final Drive Group

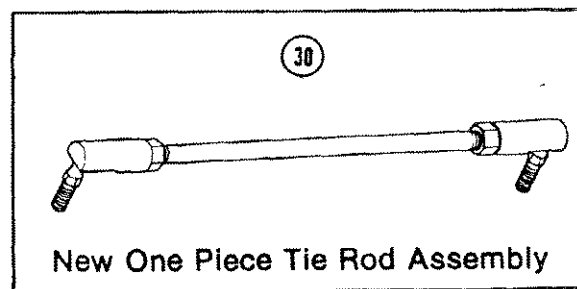
| Item | Description | Part No. | Quan. |
|------|---------------------------------|-----------|-------|
| 1. | Screw Hx. Hd. 1/4 x 3-1/4 N.C. | 847-2613 | 10 |
| 2. | Washer, Flat | 80-0253 | 6 |
| 3. | Screw, Hx. Hd. 1/4 x 1/2 n.c. | 847-2602 | 6 |
| 4. | Screw, Hx. Hd. 5/16 x 5/8 | 849-2858 | 1 |
| 5. | Nut, 1-3/8 | 903-5400 | 2 |
| 6. | Washer, Flat | 80-0253 | 1 |
| 7. | Plate, Cover | 2409-3003 | 2 |
| 8. | Cover, Differential Housing | 2409-0705 | 1 |
| 9. | Screw, Hx. Hd. 1/4 x 3-1/2 n.c. | 847-2614 | 1 |
| 10. | Bronze Bushing | 40-1604 | 5 |
| 11. | Stud, Wheel | 857-3424 | 10 |
| 12. | Hub/Gear Weldment | 2409-8011 | 1 |
| 13. | Gear, Bull Assy. | 2409-8007 | 1 |
| 14. | "O" Ring, 1-3/8 | 45-2036 | 1 |
| 15. | Axle/Gear Weldment | 3309-7001 | 1 |
| 16. | Nut, Hx. Hd. 1/4 n.c. | 902-2600 | 11 |
| 17. | Key, Sq. 1/4 x 1-1/2 | 66-0424 | 1 |
| 18. | Pin, Cotter | 52-0416 | 1 |
| 19. | Screw, Sq. Hd. Set | 849-3003 | 1 |
| 20. | Hub, R.H. Wheel | 2409-8002 | 1 |
| 21. | Washer | 80-0254 | 2 |
| 22. | Tire, 8" x 16" | 41-2816 | 2 |
| 23. | Innertube, 8" x 16" | 41-1816 | 2 |
| 24. | Nut, Wheel | 914-3500 | 10 |
| 25. | Wheel Rim, 16" | 41-4516 | 2 |
| 26. | Wheel Assembly Complete | 41-9008 | 2 |



Front End and Steering Group

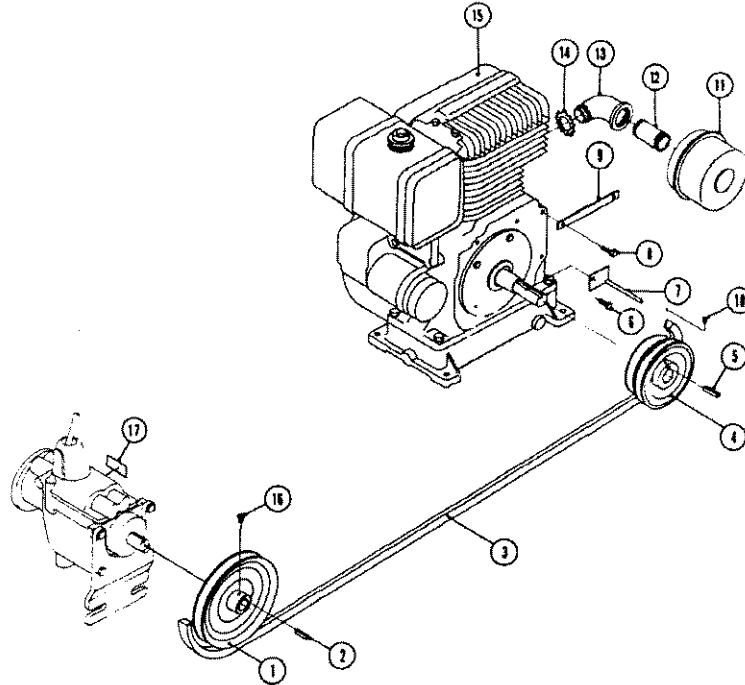


| Item | Description | Part No. | Quan. |
|------|----------------------------------|-----------|-------|
| 1. | 3/8-16 x 1-1/4 Hx. Hd. Cp. Screw | 847-3005 | 2 |
| 2. | Spiral Pin 5/16 x 1-5/8 | 53-0613 | 3 |
| 3. | Steering Tab | 1703-7001 | 2 |
| 4. | 3/8-16 Hex L./Nut | 919-3000 | 2 |
| 5. | Bushing | 40-1139 | 4 |
| 6. | Spindle Weldment R.H. | 2403-7002 | 1 |
| 7. | Spacer | 80-1042 | * |
| 8. | Cotter Pin | 52-0412 | 2 |
| 9. | Spindle Weldment L.H. | 2403-7003 | 1 |
| 10. | Bushing | 40-5416 | 4 |
| 11. | Innertube 4.80 x 8. | 41-1408 | 2 |
| 12. | Hub Cap | 41-0101 | 2 |
| 13. | Tire 4.80 x 8 | 41-2488 | 2 |
| 14. | Shim | 80-1144 | * |
| 15. | Front Wheel | 41-4008 | 2 |
| 16. | Grease Fitting | 862-0501 | 4 |
| 17. | Cotter Pin | 52-0212 | 2 |
| 18. | Grease Fitting | 862-0399 | 4 |
| 19. | Pitman Arm | 2402-7002 | 1 |
| 20. | Gear, Steering Bevel | 352-0724 | 1 |
| 21. | Steering Shaft | 1902-7003 | 1 |
| 22. | Steering Wheel | 44-2885 | 1 |
| 23. | Washer | 80-0254 | 1 |
| 24. | Clevis Pin | 51-1010 | 1 |
| 25. | Drag Link | 2403-7003 | 1 |
| 26. | Cotter Pin | 52-0520 | 2 |
| 27. | Tie Rod | 2403-7004 | 1 |
| 28. | Front Axle | 2403-7001 | 1 |
| 29. | Front Wheel Assy. Complete | 41-9004 | 1 |
| 30. | Tie Rod Assembly | 2403-8004 | 1 |



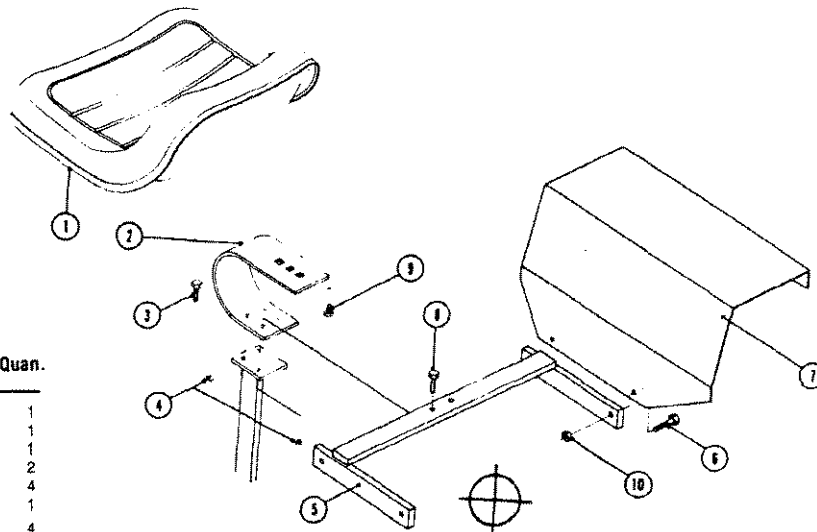
Engine Group

| Item Description | Part No. | Quan. |
|-----------------------------------|----------|-------|
| 1. 7" Transmission Pulley | 372-1470 | 1 |
| 2. Woodruff Key #606 | 68-0009 | 1 |
| 3. Main Drive Belt | 392-6964 | 1 |
| 4. Engine Pulley 4"-5" | 372-1605 | 1 |
| 5. Square Key 1/4" x 2" | 68-0432 | 1 |
| 6. 5/16"-18 x 3/4 Hx. Hd. Screw | 847-2803 | 2 |
| 7. Belt Retainer | 444-7011 | 2 |
| 8. 7/16" x 3/4" Hx. Hd. Screw | 847-2603 | 1 |
| 9. Choke Cable Bracket | 30-2001 | 1 |
| 10. Sq. Hd. Set Screw | 849-2858 | 1 |
| 11. Muffler | 71-3969 | 1 |
| Low Tone Muffler, Optional | 71-2919 | |
| 12. Exhaust Pipe | 869-9075 | 1 |
| 13. 90 Elbow | 930-7500 | 1 |
| 14. Locking Ring | 930-7500 | 1 |
| 15. 16 H.P. Engine | 30-3237 | 1 |
| 16. Soc. Hd. Set Screw 5/16 x 17" | 876-2802 | 1 |
| 17. "Oil Plug" Decal | 42-1015 | 1 |



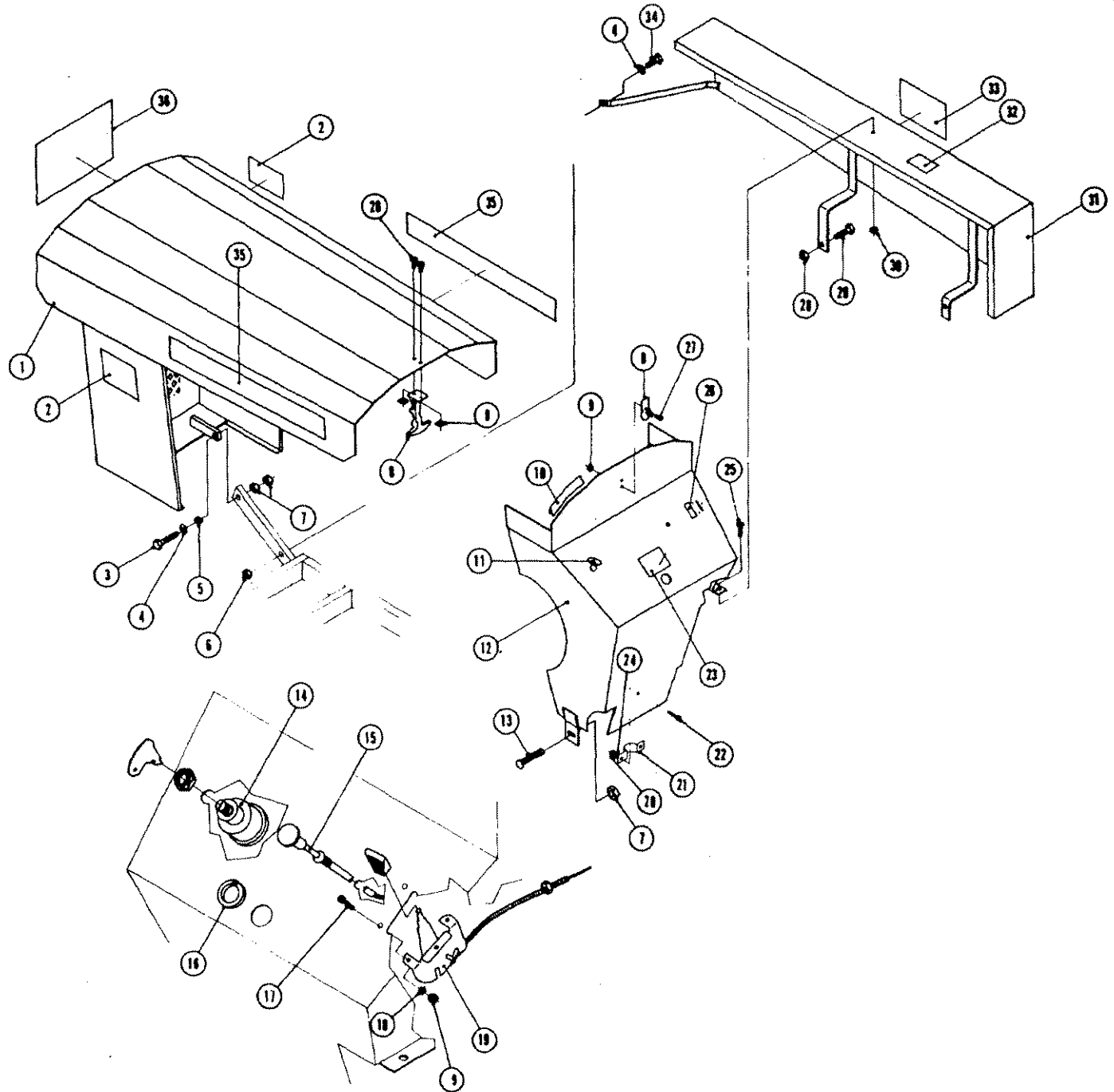
Seat and Fender Group

| Item Description | Part No. | Quan. |
|--------------------------------|-----------|-------|
| 1. Deluxe Seat Cushion | 43-1469 | 1 |
| High Back Option, Now Shown | 43-9001 | 1 |
| 2. Seat Spring | 340-3152 | 1 |
| 3. 3/8" x 1" nc Hx. Hd. Screw | 847-3004 | 2 |
| 4. 3/8" - 16 Hx. Nut | 919-3000 | 4 |
| 5. Fender Support | 2439-7006 | 1 |
| 6. 5/16" x 1-1/4" nc Hx. Screw | 847-2808 | 4 |
| 7. R.H. Fender | 2439-7503 | 1 |
| L.H. Fender (Not Shown) | 2439-7504 | 1 |
| 8. 3/8" x 1-3/4" Hx. Hd. Screw | 847-3007 | 2 |
| 9. 1/2" x 1-1/4" Hx. Hd. Screw | 847-3405 | 1 |
| 10. 5/16"-18 Hx. Nut | 919-2800 | 4 |

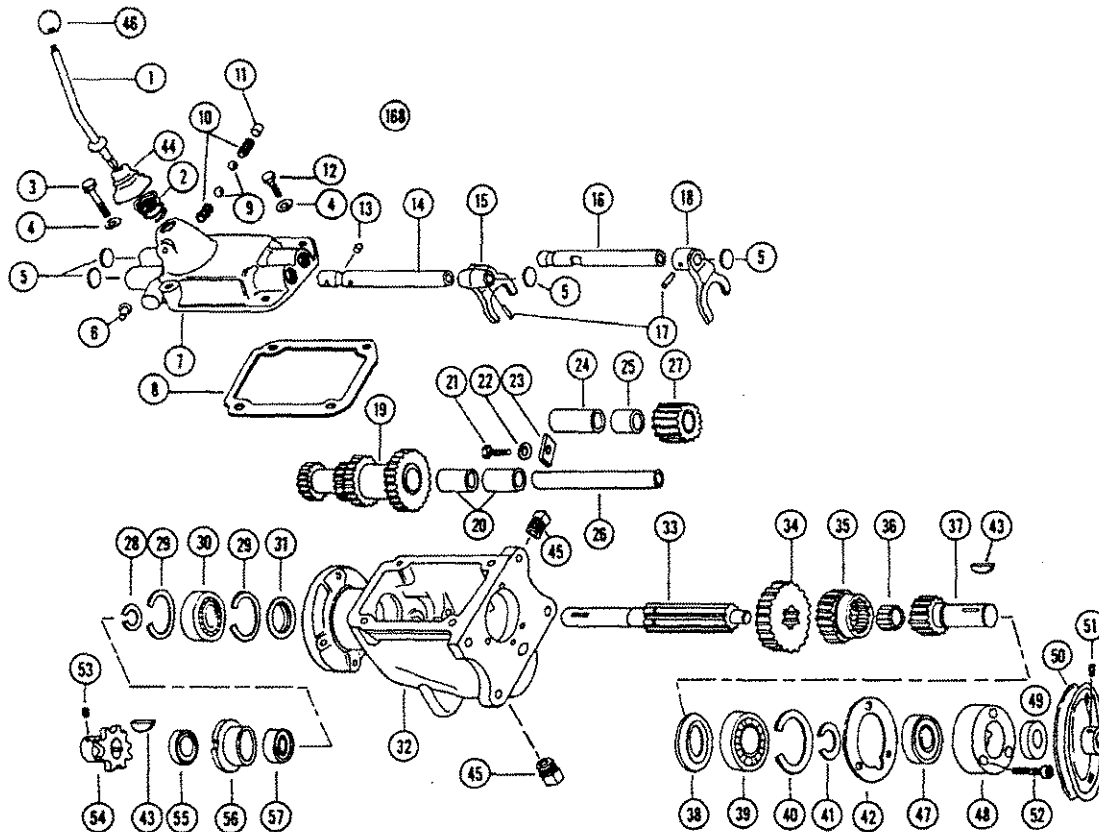


Sheet Metal Group

| Item | Description | Part No. | Qty. |
|------|--------------------------------|-----------|------|
| 1. | Hood | 2439-7501 | 1 |
| 2. | "1630" Decal | 42-1630 | 2 |
| 3. | 5/16" x 1-3/4" nc Hx. Hd. | 847-2807 | 2 |
| 4. | 5/16 Plain Washer | 80-9228 | 3 |
| 5. | Spring | 341-1306 | 2 |
| 6. | Locknut 5/16 n.c. | 919-2800 | 5 |
| 7. | Nut, 5/16" n.cm | 902-2800 | 5 |
| 8. | Hood Latch | 37-7110 | 1 |
| 9. | #6-32 Hx. Nuts | 916-1532 | 6 |
| 10. | Wire Enforced Trim | 3219-0601 | 24" |
| 11. | Ignition Switch Decal | 42-1013 | 1 |
| 12. | Dash Weldment | 2439-7502 | 1 |
| 13. | 5/16" x 1" n.c. Carriage Bolt | 843-2804 | 1 |
| 14. | Ignition Switch | 33-9520 | 1 |
| 15. | Choke Control Assy. | 36-6025 | 1 |
| 16. | Steering Col. Grommet | 46-0101 | 1 |
| 17. | #6-32 x 1/2" Rd. Hd. Screw | 811-1512 | 3 |
| 18. | #6 Lockwasher | 80-0515 | 4 |
| 19. | Throttle Control Assy. | 36-5026 | 1 |
| 20. | #10-32 Nuts | 916-2232 | 2 |
| 21. | Steering Col. Clamp | 2439-3504 | 1 |
| 22. | #10-32 x 1/2 Rd. Hd. Screw | 811-2212 | 2 |
| 23. | "Caution" Decal | 42-1111 | 1 |
| 24. | #10 Lockwasher | 80-0520 | 2 |
| 25. | 10-32 x 1/2 Rd. Hd. Screw | 811-2212 | 2 |
| 26. | Throttle Control Decal | 42-1012 | 1 |
| 27. | 6-32 x 3/8 Hx. Hd. Screw | 811-1538 | 3 |
| 28. | 3/8-16 nc Hx. Nut | 919-3000 | 1 |
| 29. | 3/8" x 1-1/4 nc Hx. Hd. Screw | 847-3005 | 1 |
| 30. | 10-32 Snap-On Nuts | 907-2000 | 2 |
| 31. | Belt Guard | 2439-7506 | 1 |
| 32. | Shift Pattern Decal | 42-1103 | 1 |
| 33. | Sm. Eagle Decal | 42-1106 | 1 |
| 34. | 5/16" x 1 nc Hx. Hd. Co. Screw | 847-2804 | 1 |
| 35. | "Speedex" Script Decal | 42-1104 | 2 |
| 36. | Large Eagle Decal | 42-1105 | |



3 Speed Transmission Service Parts Breakdown



| Item Code No. | Description | Item Code No. | Description |
|------------------|---|---------------|---|
| *N.I. 1AT92-148A | Complete control assembly with AC92-2 | 26. | 2407-9241 Countershaft |
| *N.I. 2407-8002 | Complete control assembly with AC92-2B | 27. | 2407-9214 Reverse idler gear and bushing assembly |
| 1. | 2407-1501 Control lever assembly | 28. | 2407-9238 Snap ring |
| AC92-2A | Control lever assembly | 29. | 2407-9235 Main shaft bearing snap ring |
| AC92-2B | Control lever assembly, straight | 30. | 2407-9203 Main drive gear bearing |
| AC92-2E | Control lever assembly | 31. | 2407-0137 Oil Retaining washer, rear |
| *N.I. C2-2- 1/2 | Fulcrum ball | 32. | 2407-9208 Transmission case |
| *N.I. X19C6 | 3/16 x 7/16 Round Pin (Used to retain Fulcrum ball) | 33. | 2407-1001 Main shaft |
| 2. | 2407-9243 Control lever support spring | 34. | 2407-9216 Main shaft low and reverse gear |
| 3. | 847-2806 5/16-18 x 1-1/2 hex head bolt | 35. | 2407-9215 Main shaft second speed gear |
| 4. | 80-0528 5/16 lockwasher (need 4) | 36. | 2407-9202 Bearing roller (need 13) |
| 5. | 2407-9228 5/8 expansion plug (need 4) | 37. | 2407-1002 Main Drive gear |
| 6. | 2407-9224 Control housing pin | 38. | 2407-9136 Oil retaining washer, front |
| 7. | 2407-9220 Control housing | 39. | 2407-9204 Main drive gear bearing |
| 8. | 2407-9212 Control housing gasket | 40. | 2407-9236 Main drive gear bearing snap ring |
| 9. | 2407-9201 5/16 Steel ball (need 2) | 41. | 2407-9237 Main drive gear snap ring |
| 10. | 2407-9224 Poppet spring (need 2) | 42. | 2407-9211 Main drive gear bearing retainer gasket |
| 11. | 2407-9227 Poppet spring seat | 43. | 68-0009 Woodruff key 606 (need 2) |
| 12. | 847-2803 5/16-18 x 3/4 hex head bolts (need 6) | 44. | 44-5940 Rubber boot |
| 13. | 2407-9229 Interlock Plunger | 45. | 866-7102 1/2 Pipe plug (need 2) |
| 14. | 2407-9223 Shift rail, low and reverse | *N.I. NA | Speedometer gear spacer (for early models) |
| 15. | 2407-9210 Shift fork, low and reverse | 46. | 44-0095 Shifter knob |
| 16. | 2407-9231 Shift rail, high and intermediate | 47. | 40-1640 Bearing |
| 17. | 2407-9225 Shift fork pin (need 2) | 48. | 2407-4001 Bearing retainer |
| 18. | 2407-9209 Shift fork, high and intermediate | 49. | 85-8796 Oil seal |
| 19. | 2407-9213 Countershaft gears and bushing assembly | 50. | 372-1470 7" pulley "B" section 7/8 Bore |
| 20. | Not Serviced Countershaft gear bushings (need 2) | 51. | 876-2805 5/16-18 x 5/16 soc. set screw |
| 21. | 847-2602 1/4-20 x 1/2 hex head bolt | 52. | 875-2805 5/16 x 1 1/4 soc. hd. cp. screw (need 3) |
| 22. | 80-0526 1/4 lockwasher | 53. | 876-2601 1/4-20 x 1/4 soc. set screw |
| 23. | 2407-9226 Idler and countershaft lock plate | 54. | 365-4011 11 tooth sprocket 3/4 bore |
| 24. | 2407-9239 Reverse Idler shaft | 55. | 85-7628 Oil seal |
| 25. | 2407-9240 Reverse idler gear bushing | 56. | 2407-4002 Bearing retainer |
| | | 57. | 40-3124 Bearing |

*N.I. Not Illustrated.